

TUM85MB

85cm Undermount Rangehood | Touch Control | Matte Black

TECHNIKA[®]
COOKING WITH PASSION

FEATURES AND BENEFITS



3 Fan Speeds

Low, Medium and High fan speeds allow for precise and effective removal of smoke, steam and odours during cooking.



Twin LED Lights

Twin LED lights provide bright illumination over the cooking surface, ensuring ideal lighting for all types of cooking.



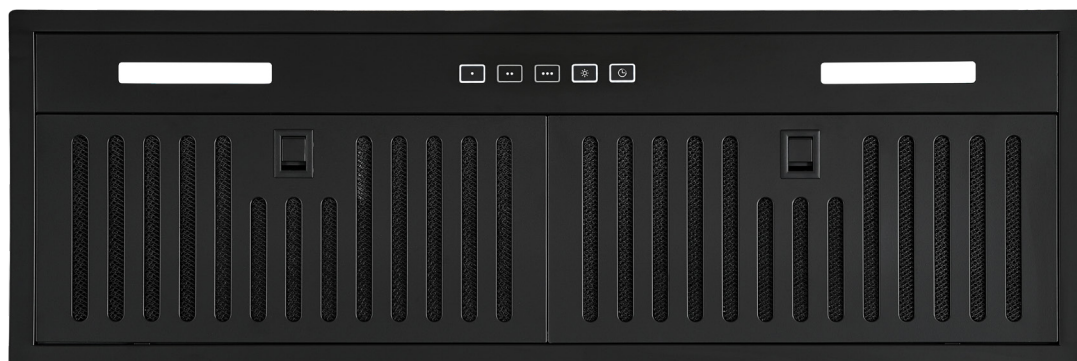
Touch Control

Easy to use back-lit touch controls ensure precise adjustment of the lighting, fan speeds and timer function.



700m³/h Air Extraction

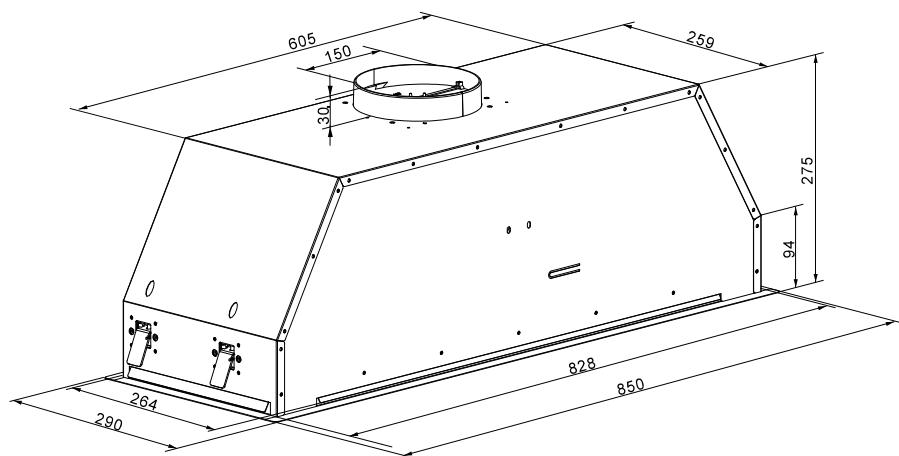
The powerful motor efficiently removes smoke, steam and cooking odours to maintain a fresh environment in your kitchen.



TUM85MB

85cm Undermount Rangehood | Touch Control | Matte Black

TECHNIKA[®]
COOKING WITH PASSION



OPERATION

Extraction	Ducted
Control Type	Touch
Finish	Matte Black
Timer	Yes - 5 Minutes

RANGEHOOD FEATURES

Extraction	700m ³ /h
No. of Speeds	3
Filters	Black Hybrid Baffle / Mesh Filters
Noise Level:	70dB*
Rangehood Lights	Twin LED Lights
No. of Lights	2

ACCESSORIES

Ducting	1x 3m length 150mm flexi ducting
---------	----------------------------------

INSTALLATION

Electrical Connection	10A Plug
Power	220 - 240V / 50Hz
Motor Wattage	220W
LED Wattage	2 x 2W
Power Cord Length	1.5m
Noise Level*	58dB
Installation Type	Undermount

DIMENSIONS (W x H x D)

Product	850 x 275 x 290
Packaged	910 x 345 x 345mm
Cut-Out	830 x 265mm
Duct Diameter	150

WEIGHT

Gross (Kg)	10
Net (Kg)	9

WARRANTY

Parts & Labour	2 years
----------------	---------

*Reading taken at top speed as per standard EN-IEC61591:1997/A2:2011

**Install the Rangehood in accordance with the manufacturer's instructions. For optimum performance, we recommend that all Rangehood clearances be a minimum of 650mm to a maximum of 750mm between the top of the cooking surface to the underside of the Rangehood. The distance may be reduced to 600mm to align with AS/NZS 5601.



Scan for more info