

# TFS9010DFX

90cm 10 Function Dual Fuel Freestanding Cooker | Black Glass + Stainless Steel

**TECHNIKA**  
COOKING WITH PASSION



## FEATURES AND BENEFITS

148L

### 148L Capacity

Class-leading 148L capacity. Make the most of your oven with extra-large cavity space, providing more room to cook on multiple oven shelves and perfect for entertaining.



### Wok Burner

The powerful 21MJ/h wok burner gives you power and control, delivering consistent heat for cooking from a slow simmer to stir frying over high heat.



### Telescopic Rails

The fully-extendable telescopic rails glide smoothly in and out of the oven cavity. Perfect for handling heavy cookware or quickly checking the progress of your cooking.



### Steam Bake

The Steam Bake function combines hot air cooking with the benefits of steam, to bring out the flavour in food, cooking it more evenly and producing juicy and crispy results.



### Digital Timer

The touch control digital timer can be programmed for a variety of timer functions, including cooking duration or end-time, which is displayed brightly on the LED display.

10

FUNCTIONS

### Multifunction

10 oven functions for ultimate flexibility, including Fan Forced for perfectly even baking, or Rapid Cook which can help reduce preheating by up to 25%.

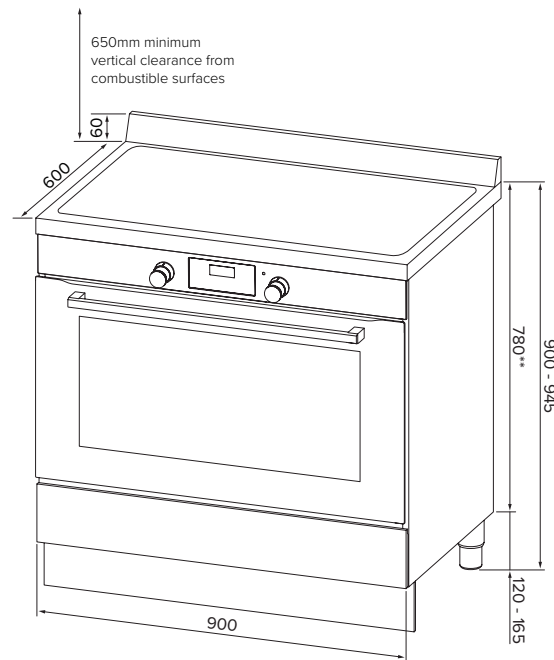
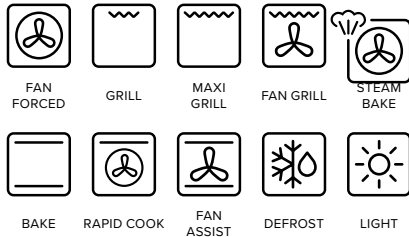
2  
YEAR  
WARRANTY

# TFS9010DFX

90cm 10 Function Dual Fuel Freestanding Cooker | Black Glass + Stainless Steel

**TECHNIKA**  
COOKING WITH PASSION

## FUNCTIONS



\*\*Height with legs removed for slot in installation on a plinth.

## CONTROLS

Oven Function / Temperature	Knob Control
Timer	Knob Control

## TIMER

Programmable Timer	Yes
Kitchen Timer	Yes
Controls / Display	Touch Control, White LED

## OVEN FEATURES

Actual Capacity (L)	148
Usable Capacity (L)	133
No. Shelf Positions	5
Removeable Side Racks	Yes
Oven Cooling System	Yes
Cavity Type	Fully-sealed
Oven Light	Twin, Top & Side
Oven Fans	Twin
Steam Bake Cavity Well	Yes
Storage Drawer	Yes

## COOKTOP FEATURES

Cooktop Type	Gas
No. Burners	5
Trivets	Cas Iron
Wok Support	Cas Iron
Flame Safety Device	Yes
Ignition	Automatic

## GAS BURNER RATINGS

Front Left, Rapid	11.5MJ/h
Rear Left, Semi Rapid	6.9MJ/h
Centre, Wok	21.0MJ/h
Front Right, Auxiliary	4.0MJ/h
Rear Right, Semi Rapid	6.9MJ/h

## ACCESSORIES

Chrome Oven Shelves	2
Enamel Baking Tray	2
Grill Inserts	2
Baking Tray Holder	1
Telescopic Rail, Full Extension	1
Kick Panel	1

## INSTALLATION

Electrical Connection	16A, Hardwire
Rated Voltage	220 - 240V, 50 - 60Hz
Total Power	3600W
Gas Type	NG / ULPG
LPG Conversion Kit	Included
Gas Inlet Type	1/2" BSP Male
Installation Type	Freestanding & Slot In**

## DIMENSIONS (W x H x D)

Product (mm)	900 x 900 - 945 x 600
--------------	-----------------------