

FHEE26A9S-5

90cm Canopy Rangehood | Stainless Steel + Glass Top

TECHNIKA®



Features

| | |
|-------------------|-----------------------------|
| Finish | Stainless Steel + Glass Top |
| Installation Type | Wall Mounted |
| Extraction Rate | 1,000m ³ /h |
| Extraction Type | Ducted |
| No. of Speeds | 3 + turbo |
| Filter Type | Aluminium Mesh |
| No. of Filters | 3 |
| Lighting Type | 2W LED |
| No. of Lights | 2 |
| Controls | Touch & Slide |
| Display | Red LED |
| Timer | Yes |

Accessories

| | |
|----------------|--|
| Flue Extension | FHEE22/26 (Optional), 835mm Inner / 650mm Outer |
|----------------|--|

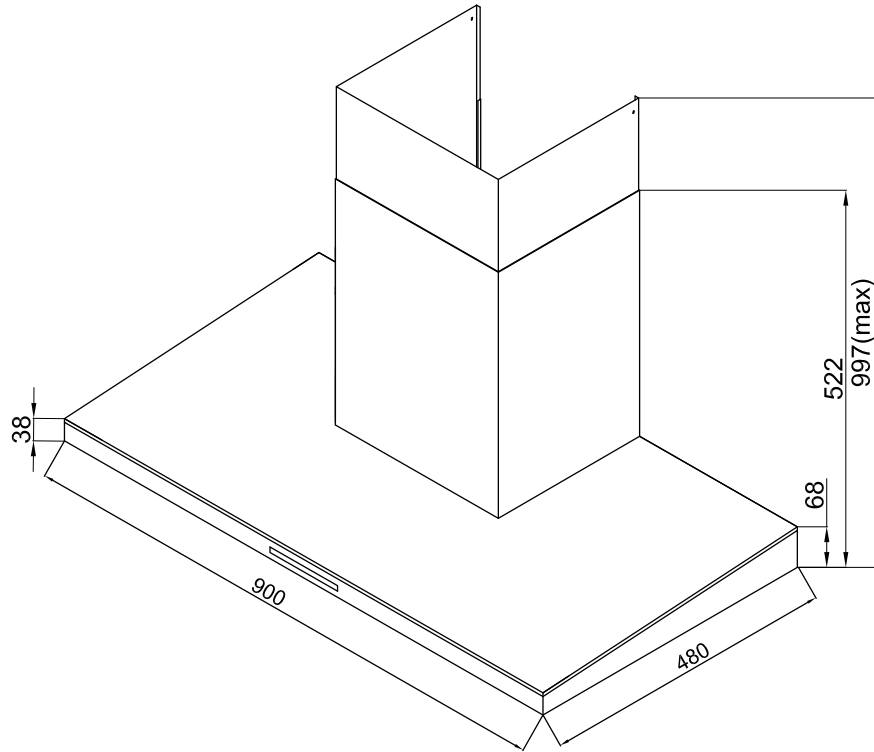


Scan for more info

FHEE26A9S-5

90cm Canopy Rangehood | Stainless Steel + Glass Top

TECHNIKA®



Installation

| | |
|-----------------------|-----------------------|
| Cabinet Size Required | 900mm |
| Electrical Connection | 10A Plug & Lead |
| Power | 220 - 240V, 50 / 60Hz |
| Motor Wattage | 320W |
| Total Wattage | 324W |

Dimensions (W x H x D)

| | |
|---------|-------------------|
| Boxed | 930 x 565 x 410mm |
| Product | 900 x 997 x 480mm |
| Cut-out | 900 x N/A x 480mm |
| Duct | 150mm |

Weight

| | |
|------------|------|
| Gross (Kg) | 23.0 |
| Net (Kg) | 21.4 |

Install Rangehoods in accordance with the manufacturer's instructions. Technika recommends that all Rangehood clearances be a minimum of 650mm to a maximum of 750mm (between the top of the cooking surface and to the underside of the rangehood). Distance may be reduced to 600mm to align with AS/NZS 5601.1: 2013.

VERSION NO. 20241108

We reserve the right to make changes to products when considered necessary and useful, without affecting the essential safety and operating characteristics. We are constantly seeking ways to improve specifications and designs of our products. Whilst every effort is made to produce up to date literature, this document should not be regarded as infallible guide. Actual product only should be used to device cut out sizes.

technika.com.au