

GSL60RDS | GSL90RDS

60 & 90cm Slide-out Rangehood

Please read the user manual carefully before using the unit

Dear Customer,

Congratulations on the purchase of your new product from **Glen Dimplex Group**.

We recommend you please take some time to read the instruction manual thoroughly to familiarise yourself with the functionality and operations to ensure optimum performance of your new appliance.

After reading the manual, please store it in a safe and accessible location for future reference.

Installation

The installation of your new appliance must be carried out by a qualified installer / technician in accordance to local regulations. Please ensure all packaging materials are disposed of correctly.

Customer Care

Our Customer Care centre is available should you wish to learn more about your appliance in relation to how to use it to its best potential, or tips on cleaning as well as available accessories.

For further details please contact our Customer Care Team

Australia

Ph: 1300 556 816

customer.care.ha@glendimplex.com.au

New Zealand

Ph: 09 274 8265

nztechserv@glendimplex.co.nz




Thank you.

Regards,

Glen Dimplex Group

Safety Information	4 - 6
Warnings	4
Safety Precautions	5
Product Use	6
Unpacking	6
Environment Protection	6
Product Overview	7
Included in the Box	7
Daily Use	8
Operating the Rangehood	8
Installation	9 - 22
Electrical Connection	9
Rangehood Installation Height	10
Ducting Options	11
Recirculation or Vented Operation	12

Front Fascia Rail Replacement	13
Inserting and Replacing the Carbon Filters	15
Install the Check Valve	16
Cabinet Mounting – Top	17
Cabinet Mounting – Wall	20
Cleaning & Maintenance	23
Cleaning the Rangehood	23
Cleaning the Filters	23
LED Lamps	23
Troubleshooting	24
Product Information	25
Manufacturer Guarantee	26 - 28

Icon	Type	Meaning
	Warning	Serious injury or death risk
	Caution	Injury or property damage risk
	Important / note	Operating the system correctly

Safety Information

We recommend that you read the instructions in this owner's manual carefully before use for the best performance and to extend the life of your appliance. It will provide you with all the information you need to ensure its safe installation, use and maintenance. Retain this owner's manual for future reference.

This rangehood must only be installed in accordance with the instructions provided. Incorrect installation may cause harm to persons, damage property and void the product's warranty. This rangehood complies the safety standard AS/ NZS60335.2.31 and AS/NZS 60335.1

Warnings

- ⚠ **Warning!** All electrical work must be done in accordance with local and national electrical codes as applicable and should be undertaken by licensed and qualified persons only.
 - This rangehood is designed for domestic household use only.
 - This appliance is not intended to be used by children, or persons with reduced physical, sensory or mental capabilities, or lack of experience and knowledge, unless they have been given supervision or instruction concerning the use of the rangehood by a person responsible for their safety.
 - Young children should be supervised to ensure that they do not play with the appliance.
 - You must read the instructions concerning the method and frequency of cleaning.
- ① **Important!** There is a risk of fire if cleaning isn't carried out in accordance with the instructions.
 - Do not check the status of the filters while the rangehood is operating.
 - Do not touch bulbs or adjacent areas, during or straight after use.
- ⚠ **Caution!** Accessible parts may become hot when used with cooking appliances.
 - Constantly check food frying, overheated oil may become a fire hazard.
 - Disconnect the electrical plug prior to any maintenance.
 - Never flambé under the rangehood.
 - Exhaust air must not be discharged into an existing flue which is used by other appliances for exhausting fumes.

- If the power supply cord of this rangehood is damaged in any way, it must only be replaced by one of our authorised service agents. Please call or email our customer service team for further assistance. Contact details can be found on the back of this user manual.
- Your new rangehood is guaranteed against electrical or mechanical defects, subject to certain exclusions that are noted in the Warranty Terms and Conditions (at the rear of this user manual). The foregoing does not affect your statutory rights.
- The use of this rangehood for any other purpose or in any other environment, without our express agreement, will invalidate any warranty or liability claim.
- No modifications to the appliance are permitted.
- Repairs may only be carried out by authorised service agents.
- Cleaning of the rangehood should be carried out on a regular basis.

Safety Precautions

- Take care when the Rangehood is operating simultaneously with an open fireplace or burner that depend on natural ventilation as the Rangehood removes air from the room, which a burner or fireplace may need for combustion.
- Provide adequate ventilation for safe operation of the Rangehood.
- Follow any local laws that apply to external air evacuation.
- Before connecting to the electricity network:
 - a** Look at the data plate (located inside the appliance) to ascertain that the voltage and power correspond to the available power supply and the power outlet is suitable. If in doubt, ask a qualified electrician.
 - b** If the appliance is used intensively for a long period of time, you may need to open a window to improve airflow.
 - c** The minimum distance between the cooktop hob and the lowest part of the rangehood shall be at least 65cm. If the instructions for installation of the gas hob specify a greater distance, this must be taken into account.
 - d** Regulation concerning the discharge of air has to be fulfilled.
 - e** 60cm rangehoods can only be installed above hobs with 4 or less burners / elements.
 - f** 90cm rangehoods can only be installed above hobs with 6 or less burners / elements.

Product Use

This rangehood is designed to be used in households and for non-commercial uses such as:


- Staff kitchen areas in shops, offices and other working environments.
- By clients in hotels, motels and other residential environments, excluding commercial kitchens.
- Bed and breakfast type environments.
- This rangehood is not designed for outdoor or alfresco installation.


Unpacking

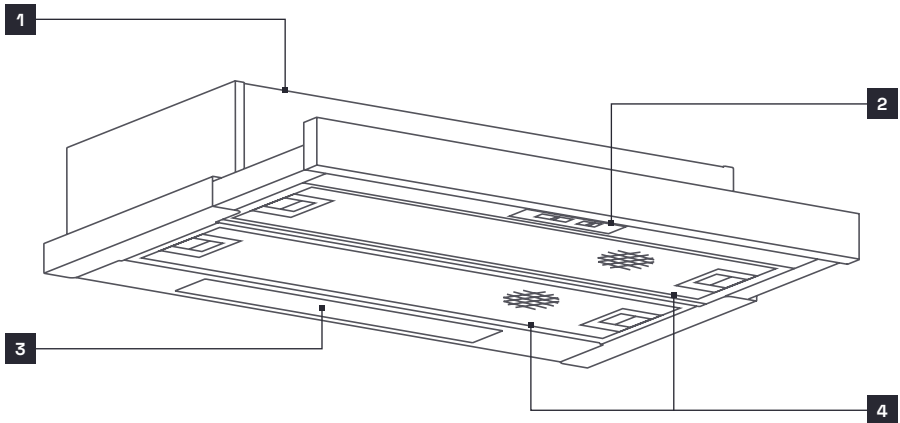
During transportation, protective packaging was used to protect the appliance against any damage. After unpacking, please dispose of all elements of packaging as per the symbols printed on the outside of the box.

⚠ Caution! During unpacking, the packaging materials (polythene bags, polystyrene pieces, etc.) should be kept out of reach of children

Environment Protection

The appliance shall not be discarded together with the urban refuse and rubbish. The materials used on this appliance marked by the symbol  are recyclable.

 The symbol on the product or on its packaging indicates that this product may not be treated as household waste. Instead it should be taken to the appropriate collection point for the recycling of electrical and electronic equipment. By ensuring this product is disposed of correctly, you will help prevent potential negative consequences for the environment and human health, which could otherwise be caused by inappropriate waste handling of this product. For more details information about recycling of this product, please contact your local council, your household waste disposal service or the shop where you purchased the product.



1 Ducting outlet

3 Light

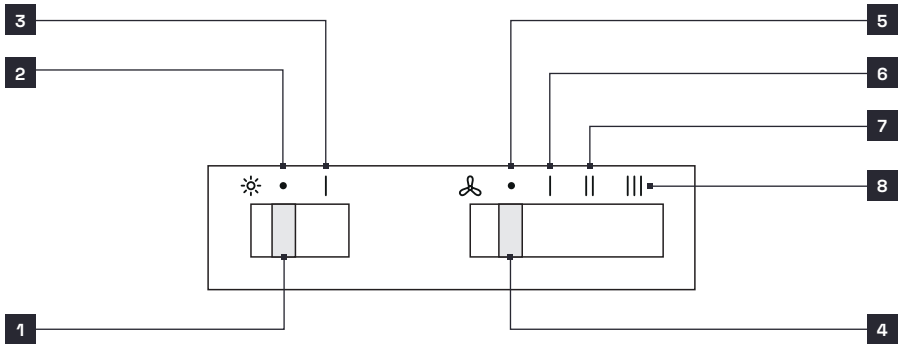
2 Controller

4 Aluminium mesh filters

Included in the Box

- 1x rangehood
- 1x 80mm fascia (fitted)
- 1x 40mm fascia
- 1x 120mm check valve
- 1x cover rail
- 1x 3m length of 120mm flexi ducting
- 1x set of CF110 carbon filters
- 1x mounting template
- 1x package of fixing screws

Operating the Rangehood



1 Light switch

2 Light off

3 Light on

4 Fan speed switch

5 Fan off

6 Low fan speed

7 Medium fan speed

8 High fan speed

- 1 Power the rangehood by sliding out the drawer.
- 2 To operate the rangehood fan, slide the fan speed switch to low fan speed position. This speed is recommended for light frying / boiling.
- 3 To increase / decrease the fan speed, slide the fan speed switch to the medium fan speed position, or the high fan speed position. Medium fan speed is recommended for frying, wok cooking and heavy boiling while high fan speed to recommended for grilling, intensive frying and wok cooking.
- 4 To operate the rangehood light, slide the light switch to the light on position. To turn off the light, slide the light switch back to the light off position.
- 5 To turn off the rangehood, slide the fan speed switch back to the fan off position and slide the rangehood drawer in.

Electrical Connection

- ① **Important!** Assembly and electrical connections must be carried out by an authorised service agent.
 - The rangehood is fitted with a power cord and a 3-pin plug. Install the Rangehood so that the plug is easily accessible.
 - Plug the 3-pin plug into a properly earthed, 10A general purpose power outlet.
 - If the supply cord is damaged, it must be replaced by the manufacturer or its service agent or a similarly qualified person in order to avoid a hazard.
 - The appliance has been manufactured as a class 1 therefore earth cable is necessary.

IEC227	
A = Active	Brown
N = Neutral	Blue
E = Earth	Green / yellow

- The connection to the mains is carried out as follow:

If not provided, connect a plug for the electrical load indicated on the description label. Where a plug is provided, the rangehood must be installed so that the plug is easily accessible after installation.

An omni polar switch with a minimum aperture of 3mm between contacts, in line with the electrical load and local standards, must be placed between the appliance and the network in the case of direct connection to the electrical network.

- ① **Important!** In addition to the information this manual, please check all relevant state requirements for minimum-maximum mounting heights, as well as regulations regarding the extraction of air. Glen Dimplex is not liable if your rangehood is not installed in accordance with these legal requirements.

Rangehood Installation Height

Minimum height from the cooktop surface to the underside face of the rangehood:

- a** 650mm electric cooktop
- b** 650mm Gas cooktop*

*Measurement are from the top of the trivets, to the lowest part of the rangehood.

- ① Note: if the instructions for the gas cooktop specify a greater distance, this must be taken into account.

Recommended Clearances

- Install the rangehood in accordance with the manufacturer's instructions. For optimum performance, we recommend that all rangehood clearances be a minimum of 650mm to a maximum of 750mm between the top of the cooking surface to the underside of the rangehood.

- ① **Important!** If the user / installer decides to install the rangehood at a distance of less than the minimum height above the cooking surface, Glen Dimplex declines responsibility for any damage suffered to the rangehood or surrounding cabinetry due to excess heat or steam.

- ⚠ **Warning!** DO NOT penetrate any screws into the rangehood as this may result in electrical hazards.

- ⚠ **Warning!** Failure to install the screws or fixing device in accordance with these instructions may result in electrical hazards.

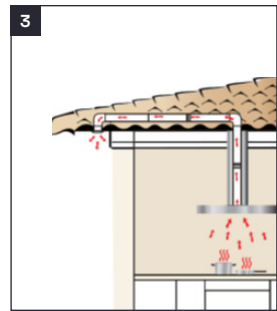
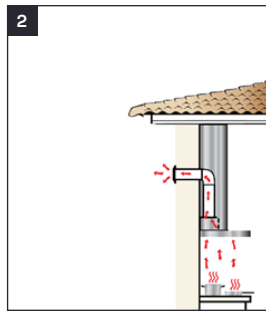
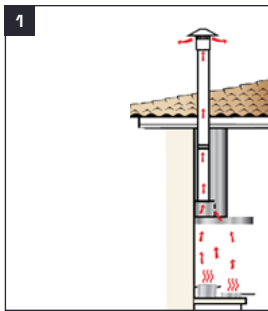
- If a connection flue composed of two parts is used, the upper part must be placed outside the lower part.
- Exhaust air must not be discharged into a flue which is used for exhausting fumes from appliances burning gas or other fuels.
- Installation must comply with any local regulations concerning the discharge of exhaust air.



Ducting Options

- Before beginning the installation of your rangehood, consider your ducting method. It is recommended to duct the rangehood outside wherever possible to ensure maximum performance. The guide below illustrates the various ducting options to be considered.

- 1 Ducting out through the roof
- 2 Ducting out through the wall
- 3 Ducting out through the eave



- ① **Note:** ducting kits (not included) for the above installation scenarios, can be purchased separately through various retail and hardware stores.

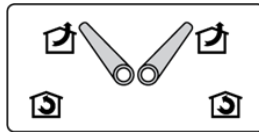
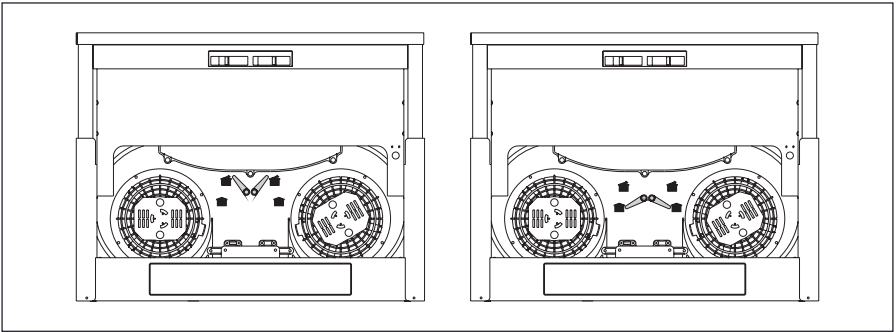
Further to the above ducting options, please follow the below tips to correctly duct your rangehood:

- Use cylindrical ducting and ensure the diameter matches the rangehood outlet.
- Avoid sharp 90 degree bends as much as possible, use 45 degree bends instead.
- Always use non-flammable ducting.
- Do not duct into the ceiling space.
- Always duct to the outside atmosphere.

Installation

Recirculation or Vented Operation

- This rangehood can be operated in either vented mode or in recirculating mode.
- To set the rangehood to either operation, remove the mesh filters and turn the switches to desired operation as shown below.



Recirculating or Vented Operation



Vented Mode

Turn the switches here to enable venting outside.



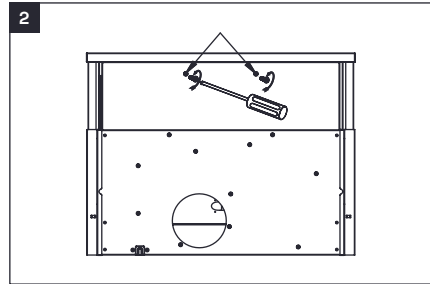
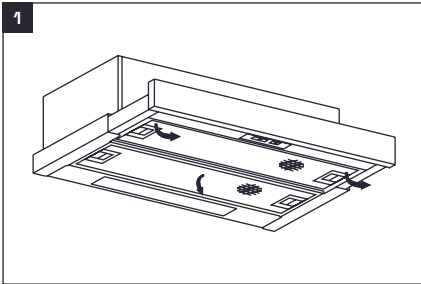
Recirculating Mode

Turn the switches here to enable recirculation.

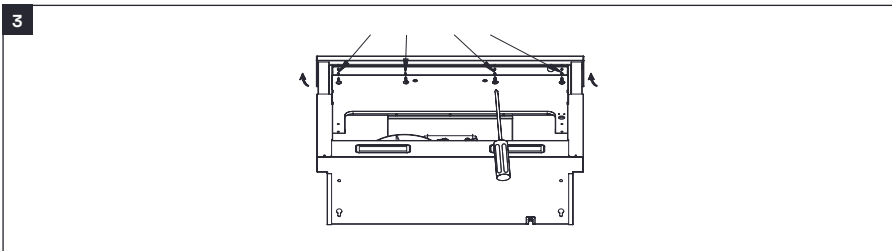
Front Fascia Rail Replacement

- ① **Note:** For the recirculating mode, the 80mm fascia panel must be fitted so the air vent at the front of unit is not covered during operation.
- When ducting the rangehood to the outside atmosphere, either the 40mm or 80mm fascia panel can be used.

- 1** Remove the aluminium filter, figure 1.
- 2** Looking topdown, pull out the slider plate, then use a screwdriver to unscrew two screws at bottom of the plate to remove the switch panel, figure 2.

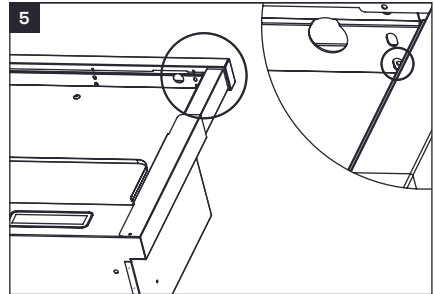
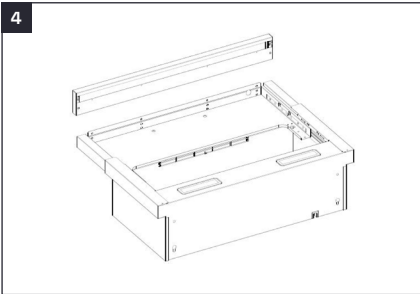


- 3** Flip the rangehood upside down and unscrew the 4 screws holding the fascia panel to the slide out extension, figure 3. Pull up the fascia and remove.

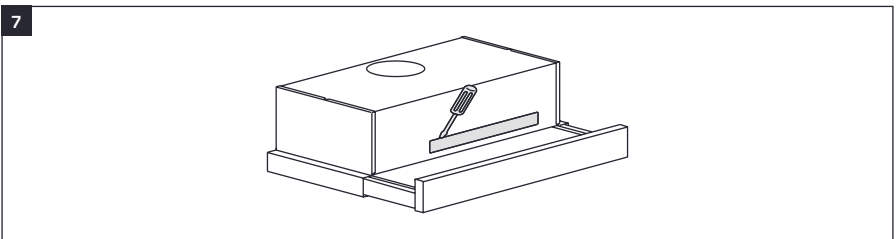


Installation

4. Insert the fold of the alternative front fascia onto the edge of the slide out extension rail and push down, figure 4.
Once the fascia panel is pushed in, pivot it left or right to align the holes in the extension plate with the screw hole provisions in the fascia panel, figure 5.
5. Secure the replacement fascia panel with the 4 screws removed in step 3.



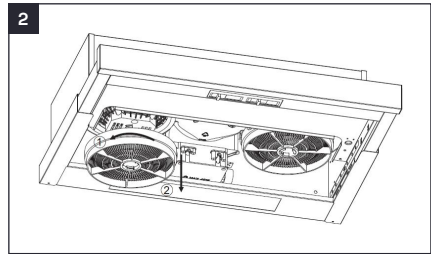
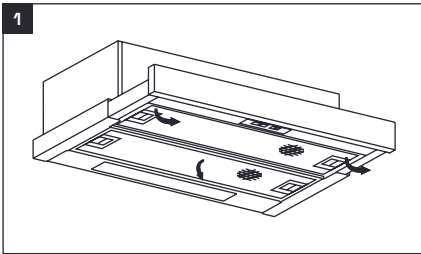
6. Push the fixture containing the control panel back into place and then flip the rangehood over and secure with the 2 screws removed in step 2.
7. If the rangehood is set to recirculating mode, remove the panel located at the front of rangehood with a flat head screwdriver, figure 7.



Inserting and Replacing the Carbon Filters (Recirculating Mode Only)

The carbon filters are utilised to remove odour from the air that is recirculated back into the room. Depending on the amount of use, the carbon filters should be changed every 3 - 4 months. When placed on the rangehood, the suction power will be dampened.

- 1 Disconnect the power supply from the wall socket and then slide out the extension plate so the 2 mesh filters can be removed from the rangehood, figure 1.
- 2 Locate the existing carbon filters and twist anti-clockwise to release them from the motor housing, figure 2.



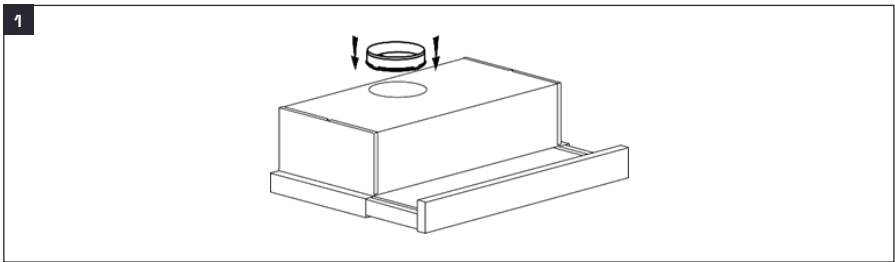
- 3 Manoeuvre the new carbon filters into place so that they slot into the grooves on the motor housing, then turn clockwise to secure.
- 4 Replace both mesh filters and reconnect the power supply to the wall socket.

Installation

Install the Check Valve (Ducted Operation Only)

Ensure correct operation of the butterfly flaps before installing the check valve onto the rangehood.

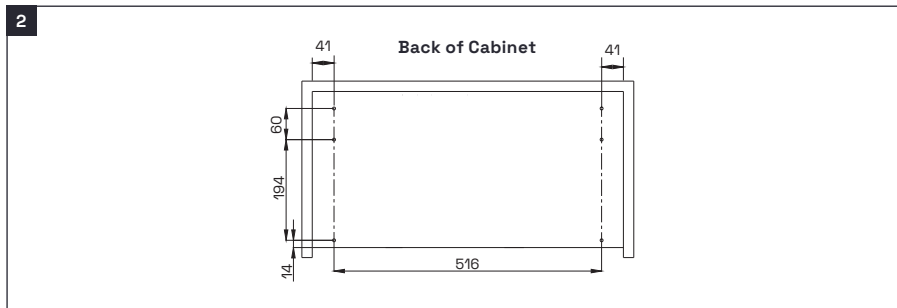
- 1 Position the check valve over the outlet in the top of the rangehood and manoeuvre it so that each of the 4 tabs clicks into place, figure 1.
- 2 The rangehood should be placed at a distance of 650 – 750mm above the highest part of the cooktop below. This will ensure optimal performance and adheres to the minimum distance outlined in standard.
- 3 Attach 120mm ducting to the check valve on the rangehood and secure with a cable tie, figure 5.



ⓘ **Important!** Do not connect the power cable until the installation is complete!

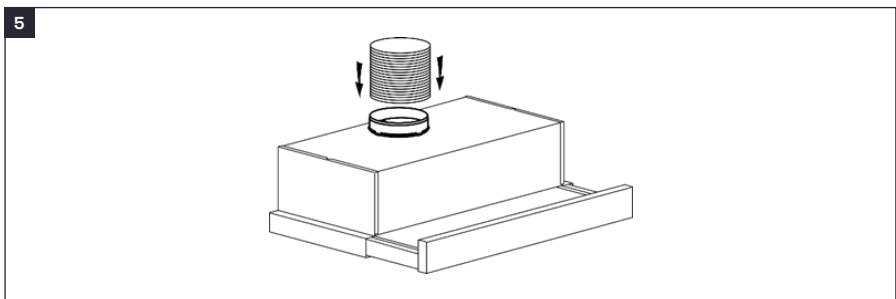
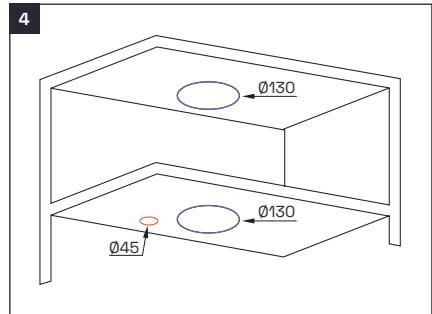
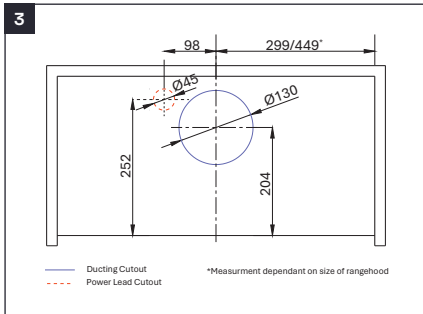
Cabinet Mounting – Top

- 1 Drill 6 holes with a diameter of $\varnothing 4$ mm into the partition of the rangehood cabinet following the measurements outlined in figure 2.
- ① **Note:** If the rangehood is to be recirculated, then skip to step 3.

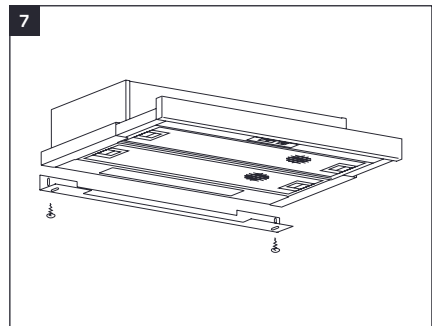
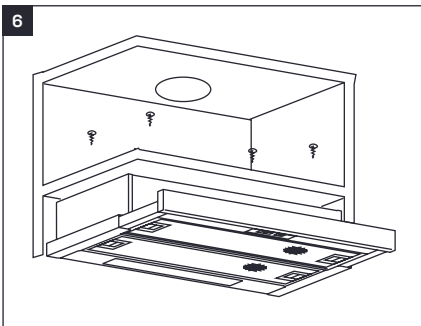


Installation

- 2 Following the dimension in figure 3, cut a 130mm hole into the partition and as well as the top of the cabinet, figure 4.
 - 3 Following the dimensions in figure 3, drill a $\varnothing 45$ mm in the partition of the cabinet. This will allow the power cable to pass through and be plugged into a 10amp GPO which should be positioned in the top left of the cabinet.
- ① **Note:** If the rangehood is to be recirculated, then skip to step 5.
- 4 Attach 120mm ducting to the check valve on the rangehood and secure with a cable tie, figure 5.



- 5 Feed the ducting through the partition and secure the rangehood to the cabinet with the enclosed 6 x M4 screws and flat washers, figure 6.
- 6 If there is a gap between the back of the rangehood and cabinet, attach the rail with the included screws figure 7, and adjust as required.

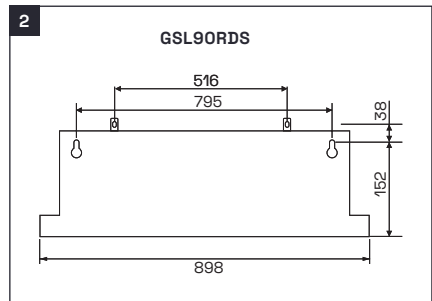
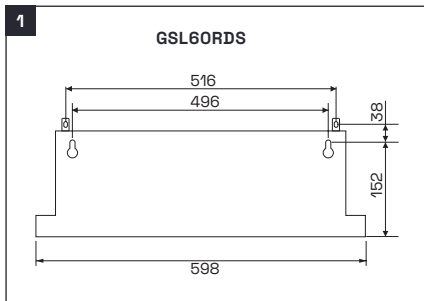


- 7 Feed the ducting (if connected) through the hole in the top of the cabinet and connect to an exhaust pipe leading to the outside atmosphere. Plug in the rangehood to the GPO and turn on.

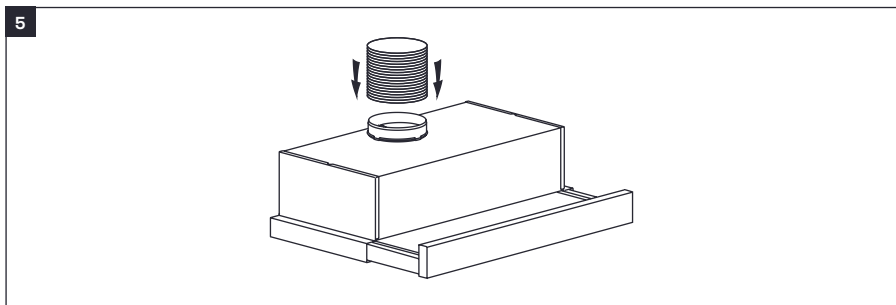
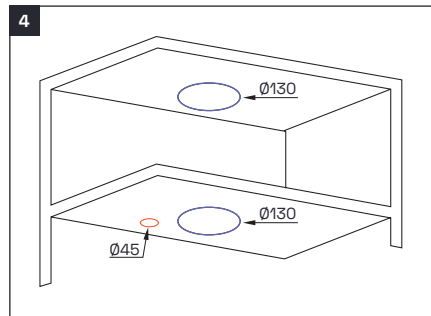
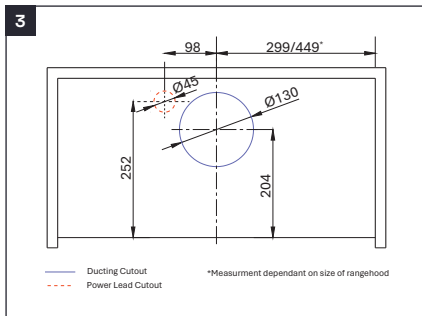
Cabinet Mounting – Wall

- 1 Drill 4 holes with a diameter of $\varnothing 4\text{mm}$ into the back wall of the rangehood cabinet following the measurements outlined in figure 1 or 2 (depending on model purchased). Secure fixing screws into the lower set of holes ensuring that they protrude out 5-6mm.

① **Note:** If the rangehood is to be recirculated, then skip to step 3.

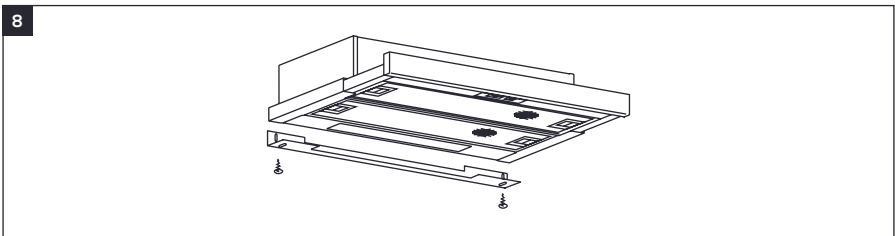
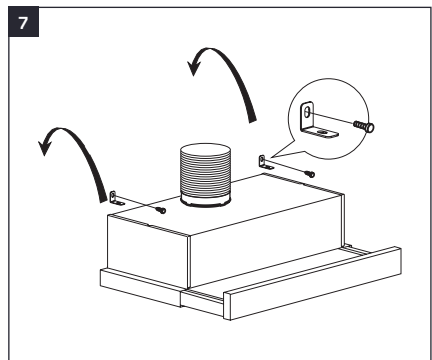
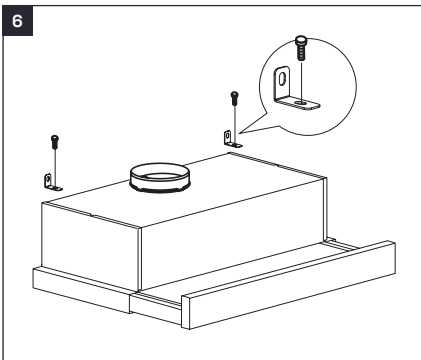


- 2 Following the dimension in figure 3, cut a 130mm hole into the partition and as well as the top of the cabinet, figure 4.
 - 3 Following the dimensions in figure 3, drill a $\varnothing 45$ mm in the partition of the cabinet. This will allow the power cable to pass through and be plugged into a 10amp GPO which should be positioned in the top left of the cabinet.
- ① **Note:** If the rangehood is to be recirculated, then skip to step 5.
- 4 Attach 120mm ducting to the check valve on the rangehood and secure with a cable tie, figure 5.



Installation

- 5 Fix the included L brackets to the top of the rangehood, figure 6.
- 6 Feed the ducting (if connected) through the partition and secure the rangehood to the cabinet by hanging it on the screws installed in step 1. Fix 2 more screws through the L brackets into the cabinet wall to secure the rangehood, figure 7.
- 7 If there is a gap between the back of the rangehood and cabinet, attach the rail with the included screws figure 8, and adjust as required.



- 8 Feed the ducting through the hole in the top of the cabinet and connect to an exhaust pipe leading to the outside atmosphere. Plug in the rangehood to the GPO and turn on.

Cleaning the Rangehood

- To ensure the rangehood continues to operate effectively, regular maintenance and cleaning is required.
- Before maintenance or cleaning is carried out, the rangehood should be disconnected from the mains power supply. Ensure that the rangehood is switched off at the wall socket and the plug removed.
- Clean the internal surfaces of rangehood, in particular each side of the motor and around the perimeter and channel that the filters sit in. A soft cloth moistened with warm water or non-abrasive liquid detergent should be used.
- Never use a scourer or abrasive cloth as the stainless steel and/or paint applied to the surface could be damaged.

Cleaning the Filters

The mesh filters capture the grease particles suspended in the air, and are therefore subject to build up and should be cleaned regularly to ensure optimal efficiency. In order to prevent fire hazard, it is recommendable to clean the filter at a minimum of every 2 months by carrying out the following instructions:

- 1** Remove the filters from the rangehood and wash them in a solution of water and neutral liquid detergent, leaving to soak.
- 2** Rinse thoroughly with warm water and leave to dry.

LED Lamps

LED lamp assemblies are a spare part and are not repairable or replaceable by the customer. If an LED lamp fails, it must be replaced by a suitably qualified technician.

Please contact Glen Dimplex after sales service via the details on the back of this user manual for any service enquiries.

Troubleshooting

Problem	Possible cause	Solution
Lights on but motor is not working	Motor has failed	Contact service agent
	Possible PCB issue	Contact service agent
	Fan is obstructed	Disconnect power and clear any obstructions
Lights and motor not working	House fuses blown	Reset / replace fuses
	Mains power cable is loose or disconnected	Refit mains power cable to power outlet. Switch power outlet on
Lights not working	Broken or faulty LED's	Contact service agent
Insufficient suction	The distance between the rangehood and the cooktop is too far	Refit the rangehood to the correct distance. A gap between 650 - 700mm is recommended
	Current speed is not providing enough extraction for what is being cooked	Increase speed as required
	Ducting is obstructed or not vented to the outside atmosphere	Check ducting is pulled tight and there are minimal bends and it is exiting the external roof
	Charcoal filters are at capacity and need to be replaced	Order new filters and replace as required

Product Information

Climate class	GSL60RDS		GSL90RDS	
Ducted outlet size (mm)	120			
Carbon filter	CF110 (included)			
Voltage	220 - 240V ~ / 50Hz			
Extraction	440m ³ /h			
Light power	1 x 5W LED strip			
Filter qty. & type	2x aluminium mesh		2x aluminium mesh	
Motor power	200W			
Total power	205W			
Power connection	10A plug			
Power cord length (m)	1.4			
Product width (mm)	600		900	
Product height & depth (mm)	176 x 300 - 450			
Packaged width (mm)	800		1100	
Packaged height & depth (mm)	355 (h) x 225 (d)			
Gross weight (kg)	11.5		12	
Net weight (kg)	9.5		10.5	

Manufacturer Guarantee

This warranty is provided in Australia by Glen Dimplex Australia Pty Limited ABN 69 118 275 460 (**Phone number 1300 556 816**) and in New Zealand by Glen Dimplex New Zealand Limited NZBN 9429000069823 (**Phone number 09 274 8265**) in respect of the Glen Dimplex Group product.

1. Glen Dimplex Group Express Warranty

Subject to the exclusions below, we warrant that the product will not have any electrical or mechanical breakdowns within:

- a** In the case of **Glen Dimplex Group** products used for personal, domestic or household purposes, a period of **2 years** from the date the product is purchased as a brand-new product from a retailer located in Australia / New Zealand.
- b** In the case of **Glen Dimplex Group** products used for purposes other than personal, domestic or household purposes (including business or commercial use), a period of 90 days from the date the product is purchased as a brand-new product from a retailer located in Australia / New Zealand. **Glen Dimplex Group** products are designed and intended for domestic use only; and
- c** All warranty repairs must be carried out by Glen Dimplex or their nominated service agent.

① **Note: warranty periods detailed above may vary in line with agreements with select retail and builder partners and may differ between Australia and New Zealand.**

The benefits conferred by this express warranty are in addition to the Consumer Guarantees referred to in section 3 and any other statutory rights you may have under the Australian / New Zealand Consumer Law and/or other applicable laws.

2. Warranty Exclusions

This express warranty does not apply where:

- a** The product has been installed, used or operated otherwise than in accordance with the product manual or other similar documentation provided to you with the product;
- b** The product requires repairs due to damage resulting from accident, misuse, incorrect installation, insect or vermin infestation, improper liquid spillage, cleaning or maintenance, unauthorised modification, use on an incorrect voltage, power surges and dips, voltage supply problems, tampering or unauthorised repairs by any persons, use of defective or incompatible accessories or exposure to abnormally corrosive conditions, events independent of human control which occurred after the goods left the control of Glen Dimplex;
- c** The repair relates to the replacement of consumable parts such as fuses and bulbs or any other parts of the product which require routine replacement;
- d** You are unable to provide us with reasonable proof of purchase for the product;
- e** The breakdown occurs after the expiry of the express warranty period set out in section 1 or;
- f** The product was not purchased in Australia / New Zealand as a brand-new product.

3. Consumer Guarantees

Our goods come with guarantees that cannot be excluded under the Australian / New Zealand Consumer Law. You are entitled to a replacement or refund for a major failure and for compensation for any other reasonably foreseeable loss or damage. You are also entitled to have the goods repaired or replaced if the goods fail to be of acceptable quality and the failure does not amount to a major failure.

Manufacturer Guarantee

4. How to Make a Claim

You may make a claim under this warranty through our website, contacting our customer care line or via email. Contact details for Glen Dimplex Australia and New Zealand can be found at the end of this document.

To make a valid claim under this warranty, you must:

- a** Lodge the claim with us as soon as possible and no later than 14 days after you first become aware of the breakdown;
- b** Provide us with the product serial number;
- c** Provide us with reasonable proof of purchase for the product. This can take the form of a store receipt, new home handover form or other payment receipt documentation; and
- d** If required by us, provide us (or any person nominated by us) with access to the premises at which the product is located at times nominated by us (so that we can inspect the product).

5. Warranty Claims

If you make a valid claim under this warranty and none of the exclusions set out in section 2 apply, we will, at our election, either repair the product or replace the product with a product of identical specification (or where the product is superseded or no longer in stock, with a product of as close a specification as possible).

Goods presented for repair may be replaced by refurbished goods of the same type rather than being repaired. Refurbished parts may be used to repair the goods. Products are designed and supplied for normal domestic use. We will not be liable to you under this warranty for business loss or damage of any kind whatsoever.

Contact our Customer Care Team

Australia

Ph: 1300 556 816

customer.care.ha@glendimplex.com.au

New Zealand

Ph: 09 274 8265

nztechserv@glendimplex.co.nz

Product / Installer Details

For future reference we suggest that you staple a copy of your purchase receipt here and complete the below so the information is always at hand.

Product Details

Model number: _____ Serial number: _____

Description: _____

Purchase Details

Date of purchase: _____

Place of purchase: _____

Store name: _____

Address: _____

Telephone: _____ Invoice / receipt number: _____

Installation Details

Date of installation: _____

Company / installers name: _____

Licence number: _____ Telephone number: _____

READ THE INSTRUCTION BOOKLET BEFORE INSTALLING & USING THE APPLIANCE.

The manufacturer will not be responsible for any damage to property or to persons caused by incorrect installation or improper use of the appliance. The manufacturer is not responsible for any inaccuracies, due to printing or transcription errors, contained in this manual. In addition, the appearance of the figures reported is also purely indicative.

The manufacturer reserves the right to make changes to its products when considered necessary and useful, without affecting the essential safety and operating characteristics. Glen Dimplex constantly seeks ways to improve the specifications and designs of their products. Whilst every effort is made to produce up to date literature, this document should not be regarded as an infallible guide. Actual product only should be used to derive cut out sizes.

All appliances must be installed by a qualified person/s with adherence to the relevant electrical, plumbing and building codes, with compliance being issued as required by state or national legislation.

Additionally, all upright cookers must have the anti-tilt device installed correctly in adherence to the relevant standards by a licenced installer.

For maximum effectiveness and efficiency all rangehoods should be installed with the use of ductwork, by a licenced installer with adherence to the relevant state and national building codes and regulations.

All Glen Dimplex appliances are for Domestic use only, and must be installed by a licenced installer into Domestic Applications only, without exception and to the required Authorities guidelines. Any installation outside of this will VOID warranty. Alfresco areas are not a Domestic application.



Distributed by

Glen Dimplex Australia Pty Ltd

Ph: 1300 556 816
customer.care.ha@glendimplex.com.au
www.glendimplex.com.au

Glen Dimplex New Zealand Ltd

Ph: 09 274 8265
nztechserv@glendimplex.co.nz
www.glendimplex.co.nz

**For service advice, please contact the Customer Care Centre by phone or email above.
For full terms and conditions, or to register your product warranty, please visit our website.**



glendimplex.com.au | glendimplex.co.nz