

HNBD12FI

60cm Fully Integrated Dishwasher

*Bellissimo*TM



Features

Finish	Fully Integrated
Place Settings	12
Display	LED
Controls	Electronic Button
Upper Basket Type	Pull-out Adjustable
Cutlery Basket	Included
No. of Spray Arms	2
Adjustable Plate Holders	None
Drying System	Natural
Delay Start	1 - 24 hours
Flood Protection	Overflow Sensor
Rinse Aid Indicator	Yes
Internal Tub Material	Stainless Steel
Filter Type	3 Stage - Stainless Steel

Wash Program

Program 1	Intensive (65°C)
Program 2	Heavy (65°C)
Program 3	ECO (50°C)
Program 4	60min (60°C)
Program 5	Fast 30 (50°C)
Program 6	Pre-Wash

Auxiliary Functions

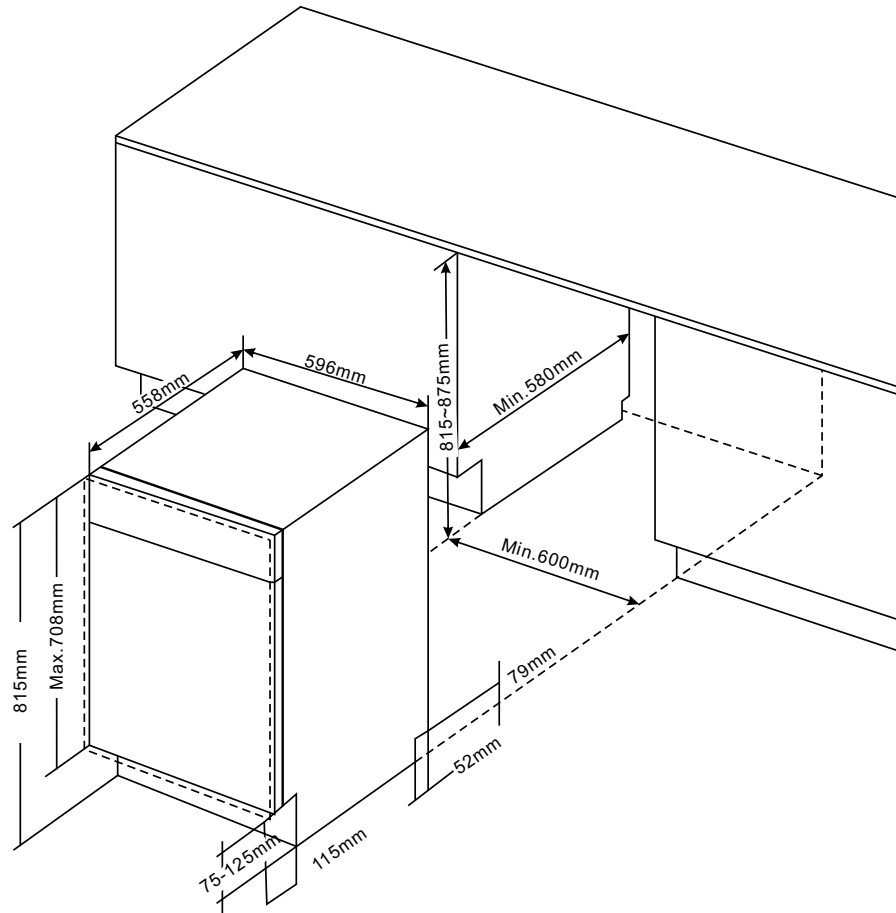
Function 1	Child Lock
Function 2	Tablet Mode
Function 3	Extra Drying

**PLEASE NOTE: Decorative door panel and handle is not included and must be supplied and installed by a cabinet maker.

HNBD12FI

60cm Fully Integrated Dishwasher

*Bellissimo*TM



Installation

Electrical Connection	10A Plug
Power	220 - 240V, 50Hz
Total Wattage	2000W
Heating Element	1850W
Motor	Universal
Energy Rating	3 Stars
Annual Energy Usage	253kWh
Water Rating	4 Stars
Litres Per Wash (Normal)	11.5L
Noise Level	49dB
Warranty	5 Years, Parts & Labour

Dimensions (W x H x D)

Product	596 x 815 - 875 x 558mm
Cut-out	600 x 815 - 875 x 580mm
Package	675 x 875 x 656mm
Gross Weight (Kg)	54.7
Net Weight (Kg)	50.8