

HNTB64GWS

60cm Gas Cooktop | Stainless Steel

*Bellissimo*TM



Features

Finish	Stainless Steel
Type	Gas
Cooking Zones	4
Control Type	Knob Control
Safety Switch	Yes, Flame Failure Safety Device

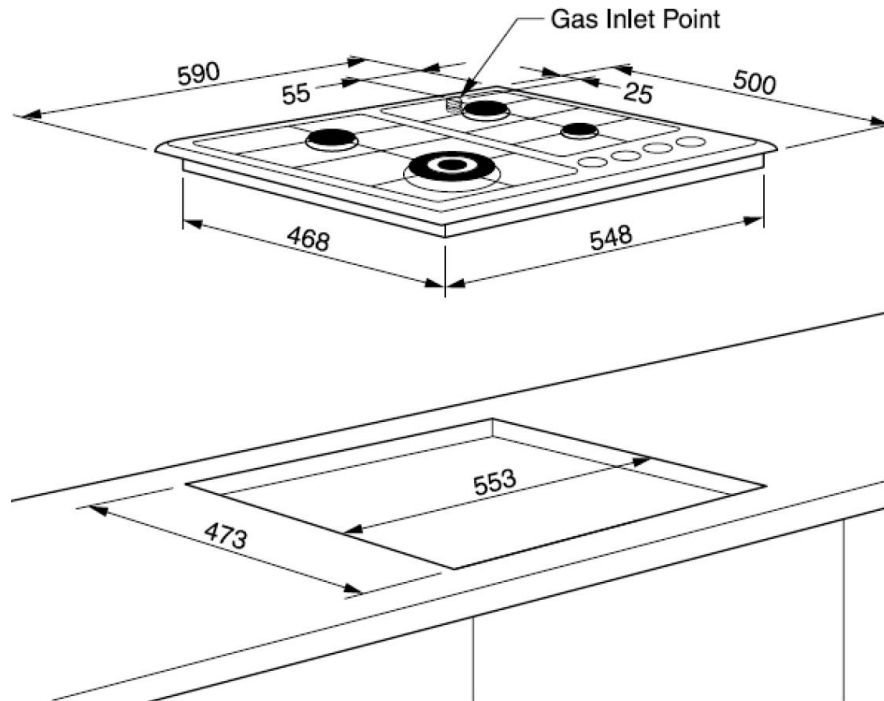
Cooking Zones

Front Left	Wok - 13.6MJ (NG) / 13.0MJ (LPG)
Front Right	Auxiliary - 3.9MJ (NG) / 3.3MJ (LPG)
Rear Left	Semi-rapid - 6.9MJ (NG) / 6.0MJ (LPG)
Rear Right	Semi-rapid - 6.9MJ (NG) / 6.0MJ (LPG)

HNTB64GWS

60cm Gas Cooktop | Stainless Steel

*Bellissimo*TM



Safety Features

Flame Safety Device	Yes
Automatic Ignition	Yes

Installation

Electrical Connection	10A Plug
Power	220 - 240V, 50Hz
Gas Input (NG)	31.1MJ/h
Gas Input (LPG)	28.3MJ/h
Warranty	5 Years, Parts & Labour

Dimensions (W x H x D)

Product	590 x 40 x 500mm
Cut-out	553 x NA x 473mm
Package	655 x 165 x 575mm
Gross Weight (Kg)	9.5
Net Weight (Kg)	7.5