

TGDW6BK-2

60cm Freestanding Dishwasher | Black Stainless Steel



Key Features

| | |
|--------------------------|--------------------------------|
| Finish | Black Stainless Steel |
| Place Settings | 14 |
| Display | LED Indicators & Timer Display |
| Controls | Electronic Buttons |
| Upper Basket Type | Height Adjustable |
| Cutlery Tray | Sliding |
| Cutlery Basket | Included |
| No. of Spray Arms | 2 |
| Adjustable Plate Holders | 1 |
| Adjustable Mug Shelves | 1 |
| Drying System | Natural - Auto Open |
| Delay Start | 1- 24 hours |
| Flood Protection | Overflow Sensor |
| Rinse Aid Indicator | Yes |
| Internal Tub Material | Polycarbonate |
| Filter Type | 3 Stage |

Programs

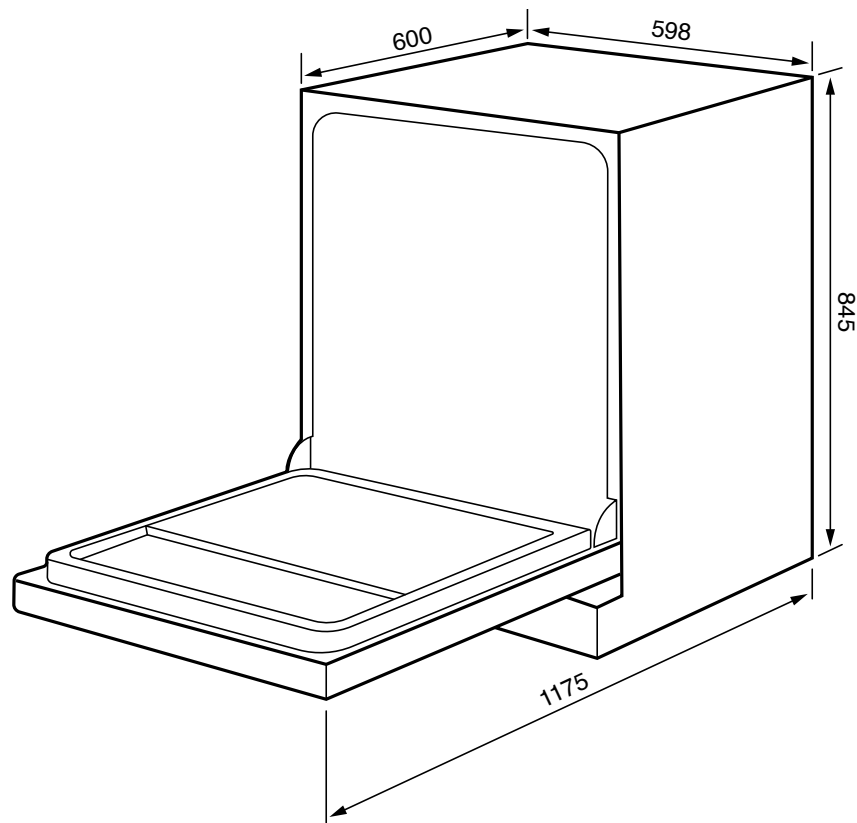
| | |
|-----------|------------------|
| Program 1 | Intensive (65°C) |
| Program 2 | Heavy (65°C) |
| Program 3 | Eco (45°C) |
| Program 4 | Glass (42°C) |
| Program 5 | 90min (65°C) |
| Program 6 | Rapid (40°C) |

Auxiliary Functions

| | |
|------------|-----------|
| Function 1 | Extra Dry |
| Function 2 | Half Load |
| Function 3 | Auto Open |

TGDW6BK-2

60cm Freestanding Dishwasher | Black Stainless Steel



Scan for more info

Technical Specifications

| | |
|--------------------------------------|-----------|
| Heating Element | 1800W |
| Motor | Universal |
| Energy Star Rating | 3 Stars |
| Energy Consumption (kWh Per Year)* | 315kWh |
| WELS Star Rating | 4.5 Stars |
| Wash Consumption (Litres Per Wash)** | 12.03L |
| Noise Level | 49dB |

Installation

| | |
|-----------------------|-------------------|
| Electrical Connection | 10A Plug |
| Voltage / Frequency | 220 - 240V / 50Hz |
| Total Wattage | 2100W |
| Installation Type | Freestanding |

Weights & Dimensions (W x H x D)

| | |
|-------------------|-----------------------|
| Product (mm) | 598 x 845 - 860 x 595 |
| Cut-out (mm) | 600 x 850 - 870 x 600 |
| Package (mm) | 645 x 871 x 645 |
| Gross Weight (Kg) | 45.2 |
| Net Weight (Kg) | 41.6 |

*When using the Eco 45° program seven times per week | **When using the Eco 45° program