

TEG95HUA

90CM DUAL FUEL HERITAGE COOKER

TECHNIKA

PROFESSIONAL SERIES

Features

Matte black finish

Storage drawer

Cooktop

5 Italian Sabaf gas burners

Centre wok burner + wok trivet

Heavy-duty cast iron trivets

Oven

115L capacity

8 functions

Removable side racks with 4 shelf positions

Close door grilling

Twin fans

2 oven lights

2 year warranty

Splashback

Automatic ignition

Flame safety device

Analogue automatic cooking timer

Durable easy clean blue enamel interior

Removable triple glazed door

Removable inner glass door panels

Cavity cooling system

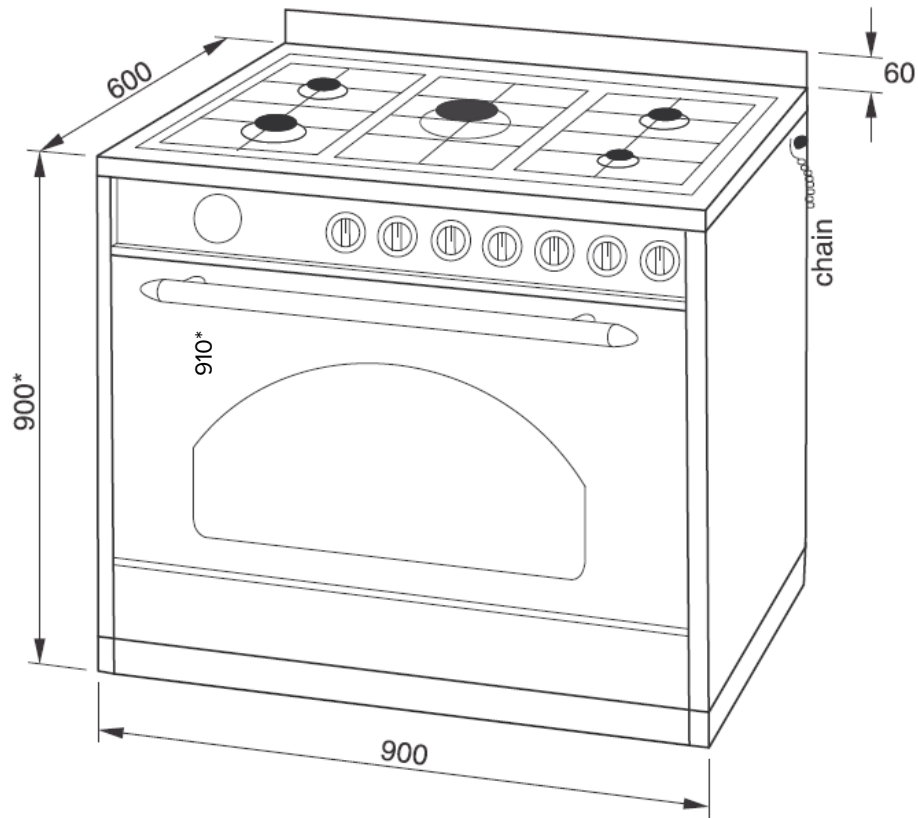


TEG95HUA

90CM DUAL FUEL HERITAGE COOKER

TECHNIKA

PROFESSIONAL SERIES



TEG95HUA		
Type	Dual fuel freestanding cooker	OVEN FEATURES
COOKTOP		Gross capacity (L)
Type	Gas burners	115
Fuel	Gas	Controls
COOKTOP FUNCTIONS		No. of shelves
Front left (MJ)	Rapid (11)	2
Rear left (MJ)	Semi-rapid (6.8)	No. of shelf positions
Centre (MJ)	Wok (14.5)	4
Front right (MJ)	Auxiliary (3.8)	Lights
Rear right (MJ)	Semi-rapid (6.8)	2
COOKTOP FEATURES		Safety switch-off
Controls	Knob	Yes
Trivets	Cast iron	Door opening
Ignition	Automatic	Drop-down
Flame safety device	Yes	Yes
OVEN		Storage drawer
Type	Multi-function oven	Yes
Fuel	Electric	
OVEN FUNCTIONS		TIMER
Full grill	Yes	Analogue automatic cooking timer
Half grill	Yes	Yes
Fan grill	Yes	ACCESSORIES (INCLUDED)
Conventional	Yes	Wok trivet
Fan forced	Yes	1
Base heat + fan	Yes	Grill tray with wire rack
Defrost	Yes	1
Light	Yes	Grill tray handle
		1
		INSTALLATION
		Electrical connection
		15A plug
		Power
		220 - 240V / 50Hz
		Gas type
		NG / LPG
		Gas inlet type
		½" BSP male
		Gas inlet position
		Rear left / right
		LPG conversion kit included
		Yes
		Cavity cooling system
		Yes
		DIMENSIONS (W x H x D)
		Product (mm)
		900 x 910* x 600
		Minimum gap required (mm)
		900

*Height includes leveling feet

Technika's policy is one of continuous development and improvement. We reserve the right to change specifications without prior notice. Illustrations and specifications are for guidance purposes only, please refer to the instruction manual for more information.