

TGPO610FTSHL

60CM ELECTRIC MULTI-FUNCTION PYROLYTIC OVEN

TECHNIKA

PROFESSIONAL SERIES

Features

- 83L capacity
- 12 functions including PyroClean + Recipe Assist
- Stainless steel finish
- Sensor touch controls
- Colour LCD display
- 5 shelf positions
- 2 dual removable telescopic rails
- Premium braided oven seal
- Soft-close door
- Closed door grilling
- Oven light
- Programmable timer + minute minder
- Child lock
- Durable easy clean blue enamel interior
- Removable quadruple glazed door
- Removable inner glass door panels
- Cavity cooling system
- 2 year warranty

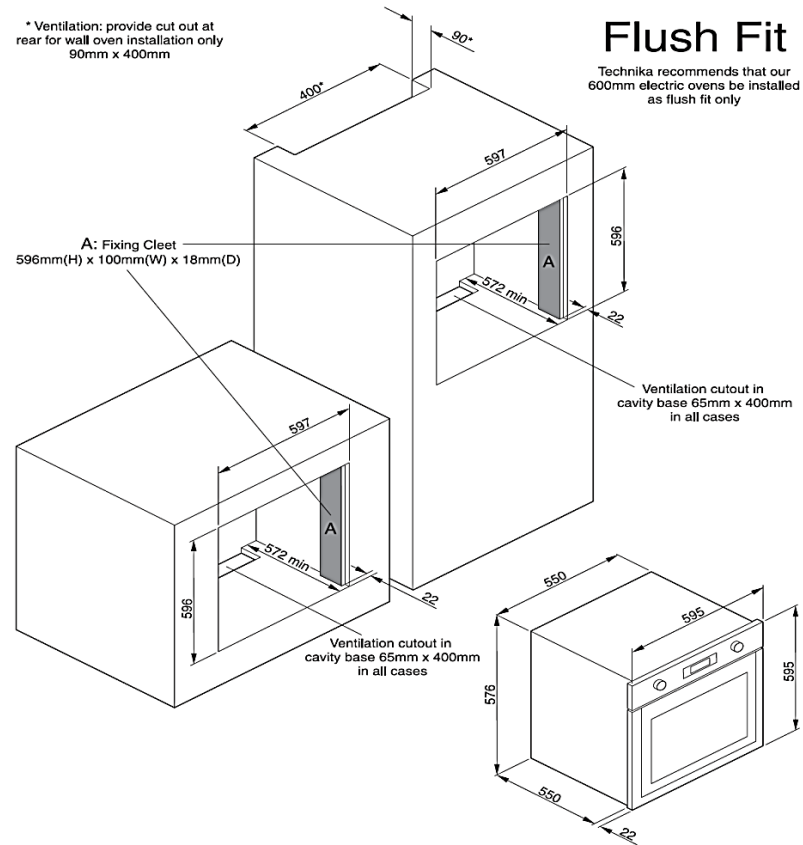


TGPO610FTSHL

60CM ELECTRIC MULTI-FUNCTION PYROLYTIC OVEN

TECHNIKA

PROFESSIONAL SERIES



TGPO610FTSHL			
Type	Multi-function pyrolytic oven	TIMER	
Fuel	Electric	Minute minder	Yes
OVEN FUNCTIONS		Programmable timer	Yes
Full grill	Yes	Child lock	Yes
Fan grill	Yes	ACCESSORIES (INCLUDED)	
Conventional	Yes	Dual telescopic rails	2 removable
Fan assist	Yes	Grill tray with wire rack	1
Fan forced	Yes	Oven pan	1
Top heat	Yes	Grill tray handle	1
Base heat + fan	Yes	INSTALLATION	
MultiCooking	Yes	Electrical connection	15A hardwire
Pizza	Yes	Power	220 – 240V / 50Hz
Defrost	Yes	Cavity cooling system	Yes
Light	Yes	Flush fit	Yes
PyroClean	Yes	DIMENSIONS (W x H x D)	
RecipeAssist	Yes	Product (mm)	595 x 596 x 572
OVEN FEATURES		Cut out (mm)	597 x 596 x 572
Gross capacity (L)	83		
Controls	Knob		
No. of shelves	2		
No. of shelf positions	5		
Lights	1		
Safety switch-off	Yes		
Door opening	Drop-down		