

TGDO84TBS

60CM ELECTRIC MULTI-FUNCTION DOUBLE OVEN

TECHNIKA

PROFESSIONAL SERIES

Features

38L + 62L capacity

4 + 8 functions + Rotisserie

Stainless steel finish

LED display

3 + 5 shelf positions

1 removable dual telescopic rails

Closed door grilling

2 oven lights

Programmable timer + minute minder

Durable easy clean blue enamel interior

Removable triple glazed doors

Removable inner glass door panels

Cavity cooling system

2 year warranty



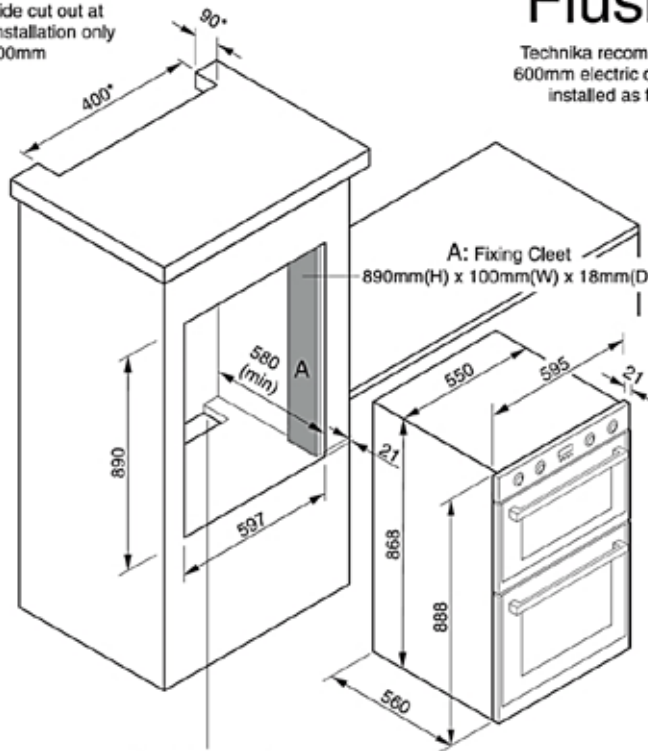
TGDO84TBS

60CM ELECTRIC MULTI-FUNCTION DOUBLE OVEN

TECHNIKA

PROFESSIONAL SERIES

* Ventilation: provide cut out at rear for wall oven installation only 90mm x 400mm



Flush Fit

Technika recommends that our 600mm electric double ovens be installed as flush fit only

TGDO84TBS			
Type	Multi-function double oven	OVEN 2 FEATURES	
Fuel	Electric		
OVEN 1		Gross capacity (L)	
Position	Type	Controls	
Type	Conventional oven and grill	No. of shelves	
OVEN 1 FUNCTIONS		No. of shelf positions	
Full grill	Yes	Lights	
Conventional	Yes	Safety switch-off	
Base heat	Yes	Door opening	
Light	Yes		
OVEN 2 FEATURES		TIMER	
Gross capacity (L)	38	Minute minder	
Controls	Knob	Programmable timer	
No. of shelves	1	ACCESSORIES (INCLUDED)	
No. of shelf positions	3	Dual telescopic rails	1 removable
Lights	1	Oven pan with wire rack	1
Safety switch-off	Yes	Grill tray handle	1
Door opening	Drop-down	INSTALLATION	
OVEN 2		Electrical connection	22A hardwire
Position	Bottom	Power	220 – 240V / 50Hz
Type	Multi-function oven	Cavity cooling system	Yes
OVEN 2 FUNCTIONS		Flush fit	Yes
Full grill	Yes	DIMENSIONS (W x H x D)	
Fan grill	Yes	Product (mm)	595 x 888 x 581
Conventional	Yes	Cut out (mm)	597 x 890 x 581
Fan forced	Yes		
Top heat	Yes		
Base heat + fan	Yes		
Defrost	Yes		
Light	Yes		