

# TFS54FC-DGW

54cm Gas Freestanding Cooker | White

TECHNIKA®  
COOKING WITH PASSION

PROFESSIONAL SERIES



## Key Features

Finish	White
Type	Gas Oven and Electric Grill
Oven Capacity	83 Litre Capacity
Oven Shelf Positions	5
Grill Capacity	20 Litre Capacity
Grill Shelf Positions	1
Control Type	Knob Controls
Side Racks	Removeable
Oven Light	Yes
Cooling System	Yes
Door	Triple Glazed
Cooktop Type	Gas
Cooktop Burners	4
Trivets	Cast Iron
Wok Support	Cast Iron
Flame Safety Device	Yes
Ignition	Automatic

## Oven Functions

Fan Assist

## Cooktop Burners

Front Left	Wok 13.7MJ/h
Front Right	Auxiliary 3.6MJ/h
Rear Left	Semi Rapid 6.3MJ/h
Rear Right	Semi Rapid 6.3MJ/h

## Accessories Included

2x Wire Shelves  
1x Baking Tray  
1x Grill Insert

83L

### 83L Capacity

Ultra spacious 83L capacity for cooking multiple perfect meals every time.



FAN ASSISTED

### Fan Assisted Gas Oven

Heat is evenly distributed throughout the oven for even better cooking results.

10AMP  
PLUG

### 10A Plug Connection

Easy installation, simply plug into any domestic socket.



TRIPLE GLAZED

### Triple Glazed Doors

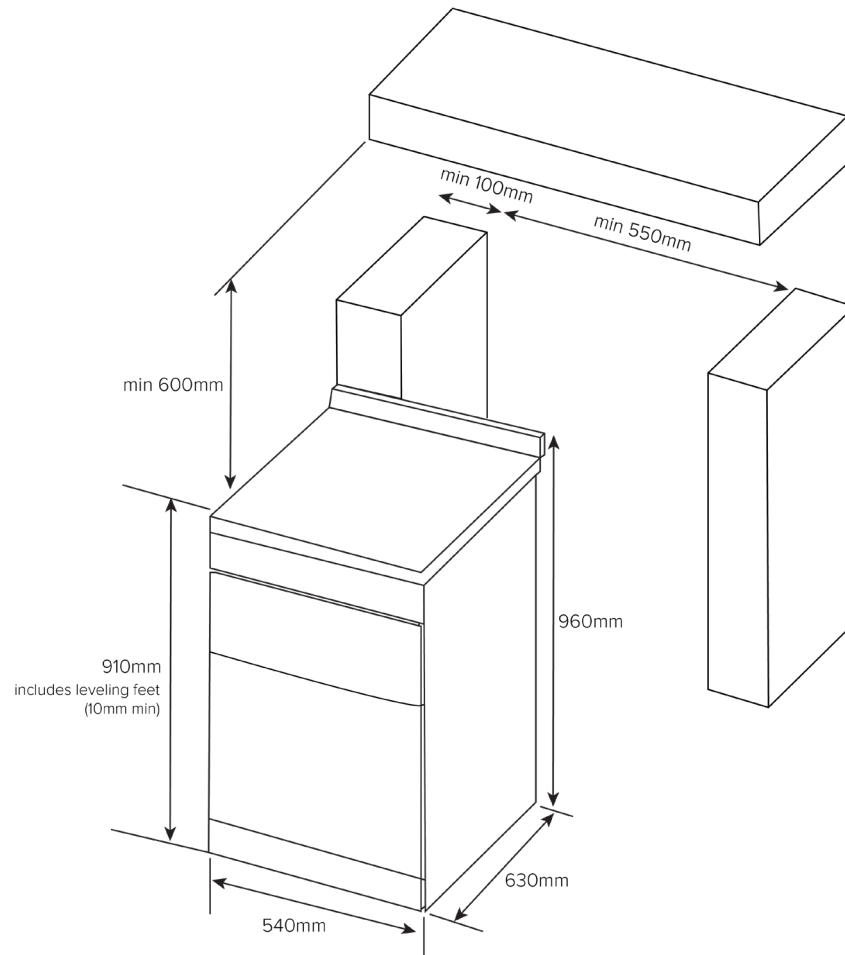
Keep the heat in with three layers of glass for quicker, more efficient cooking.

# TFS54FC-DGW

54cm Gas Freestanding Cooker | White

**TECHNIKA**  
COOKING WITH PASSION

**PROFESSIONAL SERIES**



## Dimensions (W x H x D)

Product	540 x 910 x 630mm
Cut-out*	590 x 990 x 712mm
Package	550 x 1510 x 630mm
Gross Weight (Kg)	58.9
Net Weight (Kg)	53.6

## Installation

Electrical Connection	10A Plug
Voltage / Frequency	220-240V / 50-60Hz
Total Wattage	1700W
Gas Type	NG / ULPG
LPG Conversion Kit	Included
Gas Inlet Type	½" BSP Male
Gas Input	NG 38.9MJ/h / ULPG 38.9MJ/h
Oven Burner	NG / ULPG 9.0MJ/h
Installation Type	Freestanding
Warranty	2 Years, Parts & Labour



Scan for more info

\*Cut-out height includes minimum distance required to rangehood.