

TFS54RC-DRW

54cm 5 Function Electric Freestanding Cooker | White

TECHNIKA®
COOKING WITH PASSION

PROFESSIONAL SERIES



Key Features

Finish	White
Type	Electric
Oven Capacity	83 Litre Capacity
Oven Shelf Positions	5
Grill Capacity	20 Litre Capacity
Grill Shelf Positions	1
Control Type	Knob Controls
Side Racks	Removeable
Oven Light	Yes
Cooling System	Yes
Door	Triple Glazed
Timer	Mechnaical, 120 Minutes
Cooktop Type	Electric Coil
Cooktop Elements	4
Power Levels	6



Oven Functions

Light
Full Grill
Fan Grill
Fan Forced
Defrost

Cooktop Burners

Front Left	2100W
Front Right	1300W
Rear Left	1300W
Rear Right	1300W

Accessories Included

2x Wire Shelves
1x Baking Tray
1x Grill Insert

83L

83L Capacity

Ultra spacious 83L capacity for cooking multiple perfect meals every time.

5

FUNCTIONS

5 Functions

Five functions including Fan Forced and Grill so you can cook various styles with confidence.



MINUTE MINDER

Minute Minder

120 minute
Mechanical
Minute Minder.



TRIPLE GLAZED

Triple Glazed Doors

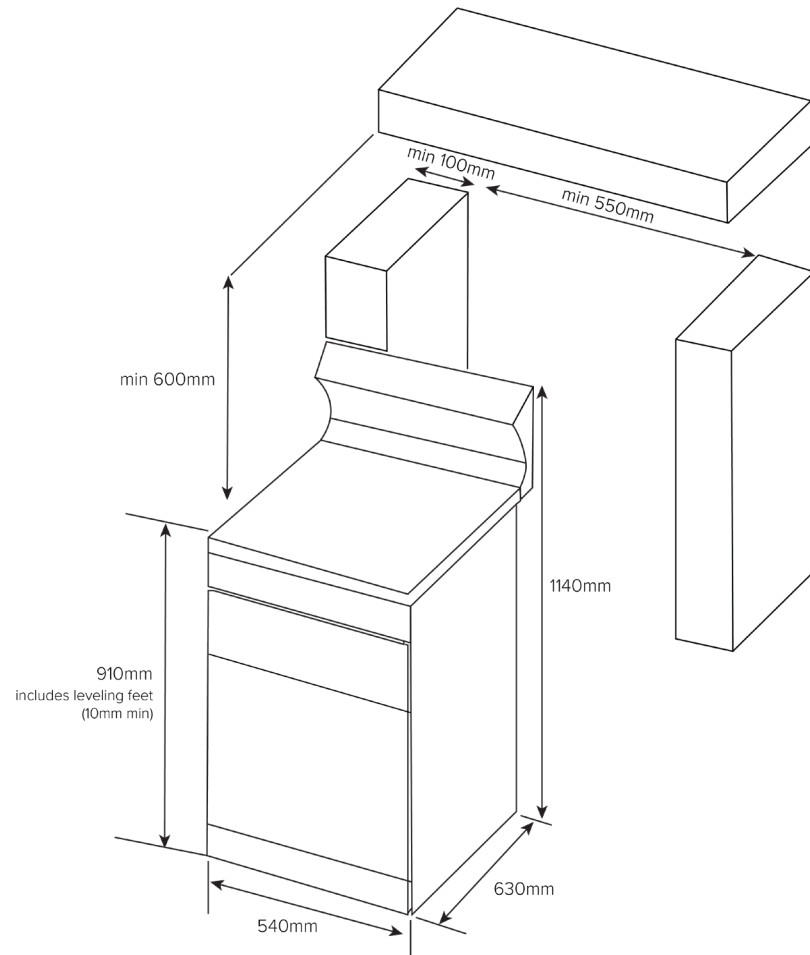
Keep the heat in with three layers of glass for quicker, more efficient cooking.

TFS54RC-DRW

54cm 5 Function Electric Freestanding Cooker | White

TECHNIKA
COOKING WITH PASSION

PROFESSIONAL SERIES



Dimensions (W x H x D)

Product	540 x 1140 x 630mm
Cut-out*	650 x 1200 x 750mm
Package	550 x 1510 x 630mm
Gross Weight (Kg)	62.5
Net Weight (Kg)	51.4

Installation

Electrical Connection	Hardwired
Voltage / Frequency	220-240V / 50-60Hz
Power	8490 - 10170W
Installation Type	Freestanding
Warranty	2 Years, Parts & Labour



Scan for more info

*Cut-out height includes minimum distance required to rangehood.