

Instructions for Use and Installation
Wall Mounted Range Hoods

TB10900SS-2

BellissimoTM
BY **TECHNIKA**





Contents

For Your Safety

Safety Precautions	4
Before Connecting	4
Warnings	5

Use and Care

Use and Care	6
Halogen Light	6
Controls	7
Command Patterns.	7
Troubleshooting	11
Disposal	11

Installation

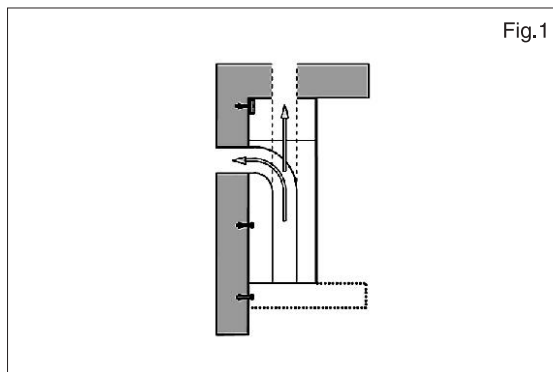
Electrical Precautions	12
Instructions for Installation	12
Fixing to the Wall	13
Fixing the Decorative Telescopic Flue.	14



For Your Safety

Carefully read the following important information regarding installation safety and maintenance. Keep this information booklet accessible for future reference.

The appliance has been designed for use in a Ducted installation, see Fig.1.



Safety Precautions

Take care when the Range Hood is operating simultaneously with an open fireplace or burner that depend on natural ventilation as the Range Hood removes air from the room, which a burner or fireplace may need for combustion.

Provide adequate ventilation for safe operation of the Range Hood. Follow any local laws that apply to external air evacuation.

Before connecting to the electricity network:

Look at the data plate (located inside the appliance) to ascertain that the voltage and power correspond to the available power supply and the power outlet is suitable. If in doubt ask a qualified electrician.

If the appliance is used intensively for a long period of time, you may need to opening a window to improve airflow.



For Your Safety



WARNINGS!

- Do not check the status of the filters while the Range Hood is operating.
- Do not touch bulbs or adjacent areas, during or straight after use.
- Do not flambé under the Range Hood.
- Disconnect the electrical plug prior to any maintenance.
- This appliance is not intended for use by young children or infirm persons without supervision.
- Young children should be supervised to ensure they do not play with the appliance.
- There shall be adequate ventilation in the room when the Range Hood is used at the same time as appliances burning gas or other fuels.
- There is a fire risk if cleaning is not carried out in accordance with the instructions.

THE MANUFACTURER DECLINES ALL RESPONSIBILITY FOR DAMAGES CAUSED BY BREACHING THE ABOVE WARNINGS.



Use and Care

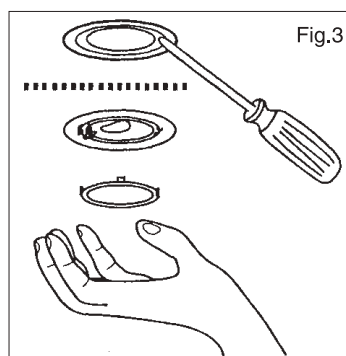
It is recommended to start the Range Hood prior to commencing to cook and leave the Range Hood in operation for 15 minutes after cooking is finished in order to completely eliminate cooking vapours and odours.

To ensure the Range Hood continues to operate effectively, regular maintenance and cleaning is required. Clean the fan and other surfaces of the Range Hood regularly using a cloth moistened with warm water or non abrasive liquid detergent.

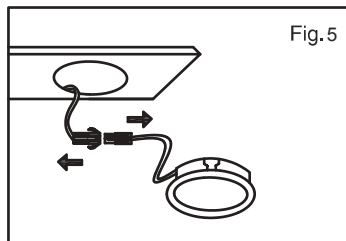
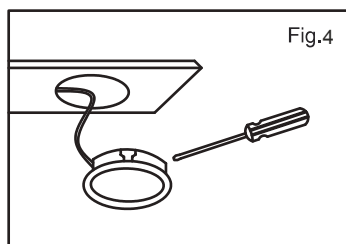
Halogen light

The halogen light globe is designed for use during cooking and not for prolonged general illumination of the environment. Prolonged use of the light notably reduces the life of the bulb.

To replace the halogen light globe use a blade screwdriver to lift and remove the overhead light fixture. Replace the globe. Use only halogen lamps as per the original specification, avoiding contact with hands when replacing the globe. Return the light fixture to its position (snap fastening). (Fig. 3)



LED lamps are a spare part and are not repairable, LED lamps can be easily removed and replacements installed, note plug and socket connection. Please contact Technika spare parts department for replacements. (Fig.4)(Fig.5)





Use and Care

Controls

If your appliance does not have the INTENSIVE speed function, press key A for two seconds and it will be activated for 15 minutes after which it will return to the previously set speed. When the function is active the LED flashes.

By pressing any key, except (E) for the hood light, the hood will return immediately to its normal function.

When activated, the automatic stop timer continues the operation of the Range Hood for 15 minutes at the set operating speed before the Range Hood switches off.

5 Button Mechanical Switch

Commands Pattern: (Fig.6)

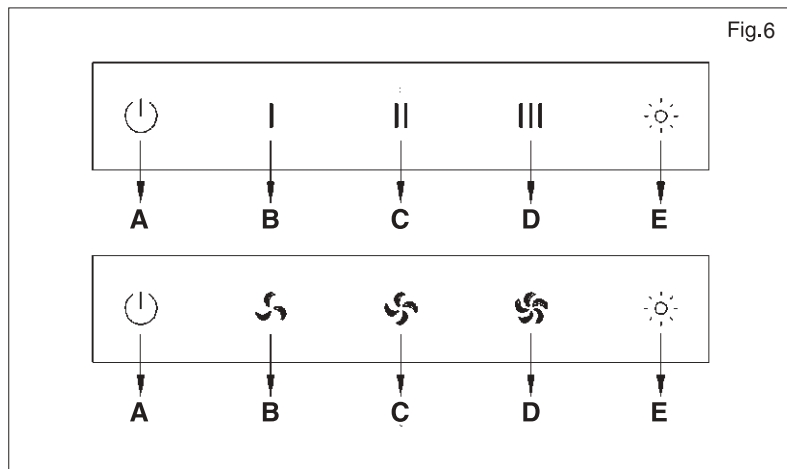
A= OFF

B= SPEED I

C= SPEED II

D= SPEED III

E= LIGHT





Use and Care

4 Button Electronic Switch

Commands Pattern: (Fig.7)

A= SPEED I / OFF

B= SPEED II / OFF

C= SPEED III / OFF

D= LIGHT

5 Button Electronic Switch

Commands Pattern: (Fig.8)

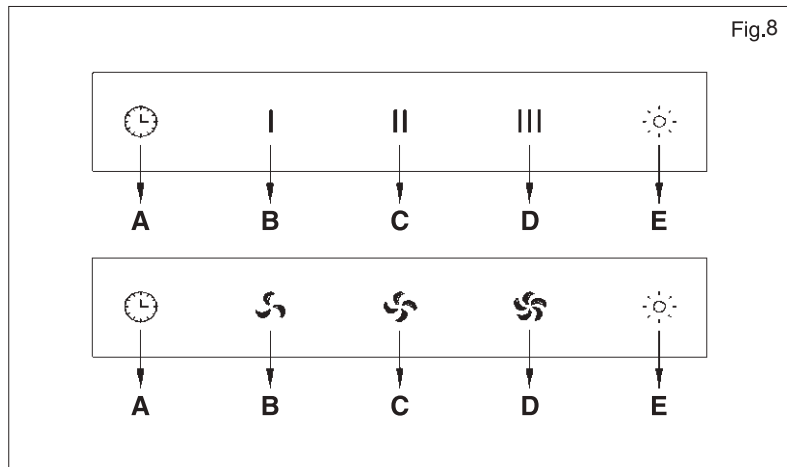
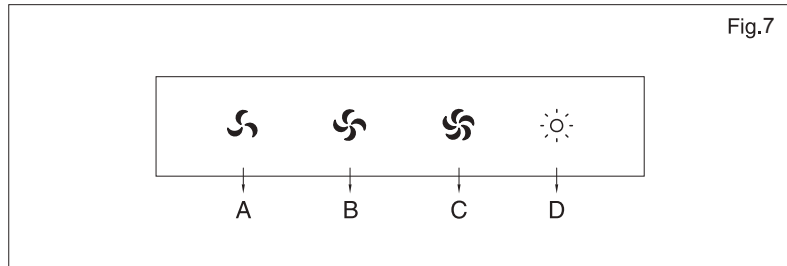
A= TIMER --- 15 MINUTES

B= SPEED I / OFF

C= SPEED II / OFF

D= SPEED III / OFF

E= LIGHT





Use and Care

Electronic Switch with LED Display

Commands Pattern: (Fig.9)

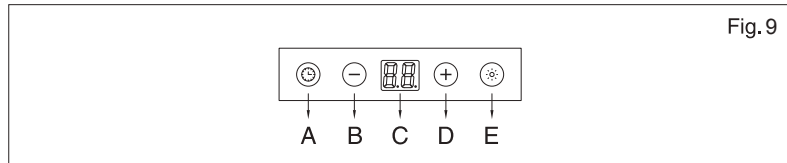
A= DELAY TIMER

B= SPEED / "-" ADJUST / OFF

C= LED DISPLAY

D= SPEED / "+" ADJUST / OFF

E= LIGHT



Sensor Touch with LED Display

Commands Pattern: (Fig.10)

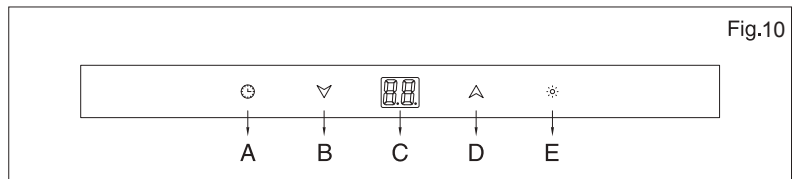
A= DELAY TIMER

B= SPEED / "-" ADJUST / OFF

C= LED DISPLAY

D= SPEED / "+" ADJUST / OFF

E= LIGHT





Use and Care

Sensor Touch with LCD Display

Commands Pattern: (Fig.11)

A= FILTERING SYSTEM / SET CLOCK

B= DELAY TIMER

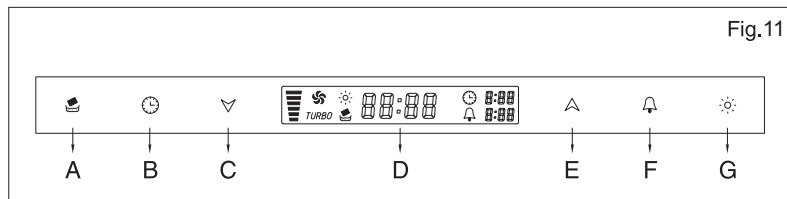
C= SPEED / "-" ADJUST / OFF

D= DIGITAL DISPLAY

E= SPEED / "+" ADJUST / OFF

F= ALARM

G= LIGHT



When key A is flashing, the symbol “ ” will also flash on the digital display to remind the user to clean the filters. After being cleaned and re-assembled, push key A till the light goes off to set the function again.

Set the clock by pushing key A for 3 seconds, the clock “ : ” on the digital display will flash. Push key A to switch between hours and minutes, and then push C or E to set the correct time. The Clock's system is 24 hours.

To set the delay timer, while the rangehood is operating push key B, the light will go on, at the same time the symbol “ : ” will flash on the digital display. Push key B to switch between hours and minutes, and use keys C or E to set the time to automatically shut off the rangehood. Push key B for 3 seconds to stop the delay timer.

To set the fan speed push key C or E, to start on the first speed, the symbol “ ” is shown on the digital display. Push key C once to turn the rangehood off. To increase the speed to run the 2nd, 3rd and “Turbo” speed, then push key E. At the “Turbo” speed setting, push key E once again to turn the rangehood off; or push key C down to 3rd, 2nd and 1st speed. On the special function setting, after the “Turbo” speed runs for 2 minutes, it automatically switches to 3rd speed.



Use and Care

To set the alarm, push key F and the light will flash. The symbol “🔔 0:15” flashes on the digital display. To switch hours and minutes, push key F again and set the alarm time by pushing keys C or E. To stop the alarm, push key F. To cancel the set alarm completely, push key F for 3 seconds.

To turn the light on, push key G, the symbol “💡” will be seen on the digital display. Push key G again to turn off the light.

Troubleshooting

Problem	Possible reason	Solution
Hood doesn't work	No electricity supply	Check the plug is connected
		Check that the main switch/circuit breaker/safety switch is turned on
Poor airflow	Aluminum grease filters clogged	Clean the filters and replace when dry
Motor running but no air flow	Butterfly valve jammed	Contact service department
Motor turns off after a few minutes	High temperature safety device activated	The kitchen is not sufficiently ventilated
	The hood is installed too near to the cooking stove	The hood must be at least 650mm from stove
Oil dripping onto stove	Oil cup missing or not installed	Remove aluminum filter and replace oil cup
	Aluminum grease filter saturated	Wash the aluminum grease filters
Whirring sound	Something in contact with fan blade	Contact service department

Disposal



By ensuring this product is disposed of correctly, you will help prevent potential negative consequences for the environment and human health, which could otherwise be caused by inappropriate waste handling of this product.

The symbol on the product indicates that this product may not be treated as household waste. Instead it shall be handed over to the applicable collection point for the recycling of electrical and electronic equipment.

Disposal must be carried out in accordance with local environmental regulations for waste disposal.

For more detailed information about treatment, recovery and recycling of this product, please contact your local city council office.



Installation

Assembly and electrical connections must be carried out by authorised personnel.

Electrical Connection

The Range Hood is fitted with a power cord and 3 pin plug. Install the Range Hood so that the plug is easily accessible. Plug the 3-pin plug into a properly earthed, 10A general purpose power outlet.

If the supply cord is damaged, it must be replaced by the manufacturer or its service agent or a similarly qualified person in order to avoid a hazard.

Instructions for Installation

Install Range Hoods in accordance with the manufacturer's instructions. The Range Hood clearance must be a minimum of 650mm to a maximum of 750mm from the top of the cooking surface to the underside of the Range Hood.

If a connection flue composed of two parts is used, the upper part must be placed outside the lower part.

Exhaust air must not be discharged into a flue which is used for exhausting fumes from appliances burning gas or other fuels. Installation must comply with any local regulations concerning the discharge of exhaust air.

Before proceeding with the assembly, remove the anti-grease filter(s) (Fig.12) so that the unit is easier to handle. Prepare the hole in the ceiling or wall for the evacuation of the air.

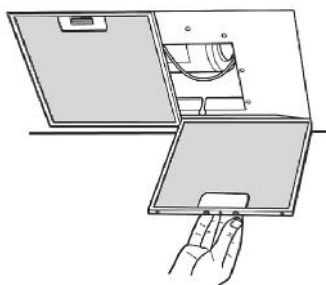


Fig.12



Installation

Fixing to the Wall

Drill the holes (A) according to the distances indicated (Fig.13).

Fix the appliance to the wall and align it in horizontal position to the wall units. When the appliance has been adjusted, fix the hood using the screws (A).

For various installation types, use screws and screw anchors suited to the type of wall (e.g. reinforced concrete, plasterboard, etc.). If the screws and screw anchors are provided with the product, check that they are suitable for the type of wall on which the hood is to be fixed.

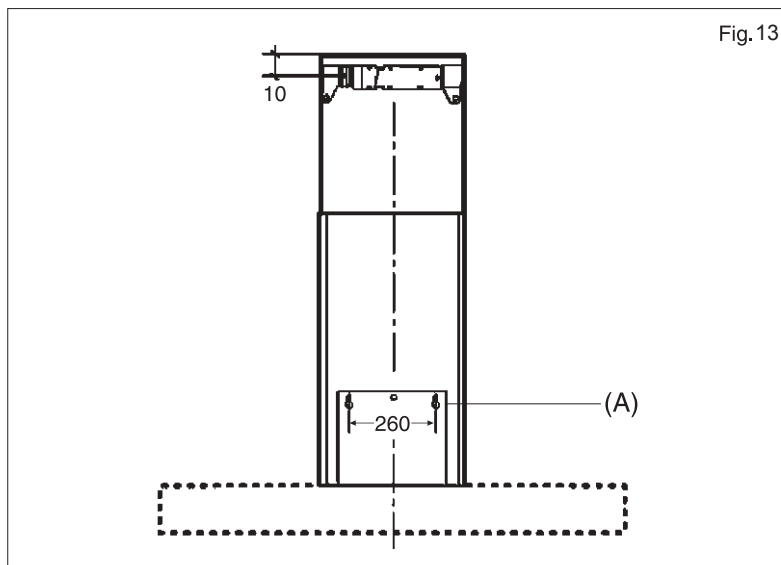


Fig. 13



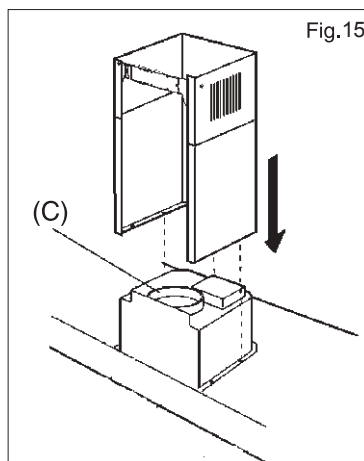
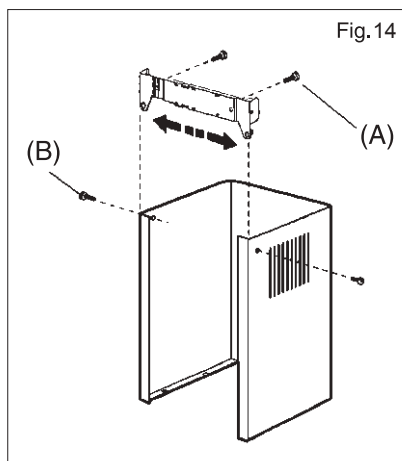
Installation

Fixing the Decorative Telescopic Flue

Arrange the electrical power supply within the dimensions of the decorative flue.

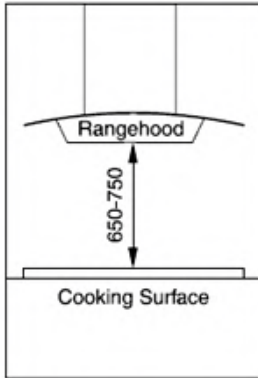
Prepare the hole in the ceiling or wall for the evacuation of the air.

Adjust the width of the support bracket of the upper flue (Fig.14). Then fix it to the wall using the screws (A) (Fig.13) in such a way that it is in line with your hood and the required distance down from the ceiling indicated in Fig.13. Connect the flange (C) to the air exhaust hole using a connection pipe (Fig.15).

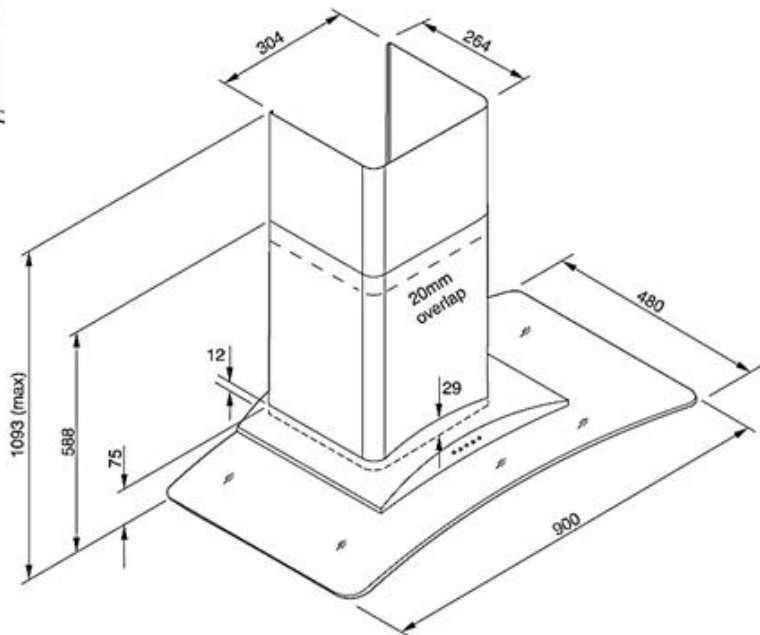
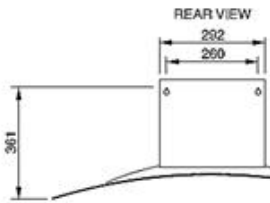


Instructions for Installation

Recommended Clearances



Install Range Hoods in accordance with the manufacturer's instructions. Technika Bellissimo recommends that all Range Hood clearances be a minimum of 650mm to a maximum of 750mm (between the top of the cooking surface and to the underside of the rangehood). Distance may be reduced to 600mm to align with the AGA code.



READ THE INSTRUCTION BOOKLET BEFORE INSTALLING AND USING THE APPLIANCE.

The manufacturer will not be responsible for any damage to property or to persons caused by incorrect installation or improper use of the appliance.

The manufacturer is not responsible for any inaccuracies, due to printing or transcription errors, contained in this handout. In addition, the appearance of the figures reported is also purely indicative.

The manufacturer reserves the right to make changes to its products when considered necessary and useful, without affecting the essential safety and operating characteristics.

Technika constantly seeks ways to improve the specifications and designs of their products.

Whilst every effort is made to produce up to date literature, this document should not be regarded as an infallible guide.

Actual product only should be used to derive cut out sizes.

All Technika Appliances must be installed by a qualified person/s with adherence to the relevant electrical, plumbing and AGA codes, with compliance being issued as required by state or national legislation.

Additionally all Technika Upright cookers must have chains installed correctly in adherence to the relevant AGA, and plumbing codes by the Licenced installer.

For maximum effectiveness and efficiency all rangehoods should be installed with the use of ductwork, by a licenced installer with adherence to the relevant state and national building codes and regulations.

All Technika appliances are for Domestic use only, and must be installed by a licence installer into Domestic Applications only, without exception and to the required Authorities guidelines. Any installation outside of this will VOID warranty.

Alfresco areas are not a Domestic application.

*Bellissimo*TM
BY TECHNIKA

TECHNIKA PTY LTD ACN 069 686 326

77 Fillo Drive Somerton Victoria 3062

General: 1800 649 969 - Service & Spare Parts: 1800 333 244

Technika After Sales Service - PO. Box 543 SOMERTON VIC 3062