

## 900mm Electric Oven

### Product Features

- 100 Litre oven capacity
- 10 functions
- Sensor touch control
- "A class energy rating" (European standards)
- LCD display / clock / timer
- Closed door grilling
- Twin oven light
- Easy clean interior
- Removable triple glazed cool touch door
- Removable side racks
- Large viewing window
- Automatic safety cut off
- Cavity cooling system
- Connection: 15amp



#### Large viewing window

Easily check the progress of your meal without having to open the door and let hot air escape.

#### Cavity cooling system

Our cavity cooling system effectively pulls heat away from the outside of the oven. This unique process keeps the door, controls and handle cool, while helping to protect surrounding cabinets from heat damage.

#### Flexibility

More shelf positions allow more food to be cooked at the same time. If you need space for larger cookware remove the shelves you don't need.

#### Triple glazed cool touch door

Three layers of glazing keep heat in so your food cooks quickly and efficiently. Triple glazing also limits the amount of heat that can escape, so the door remains cool to touch. This is a handy safety feature for little fingers.

#### Easy to clean

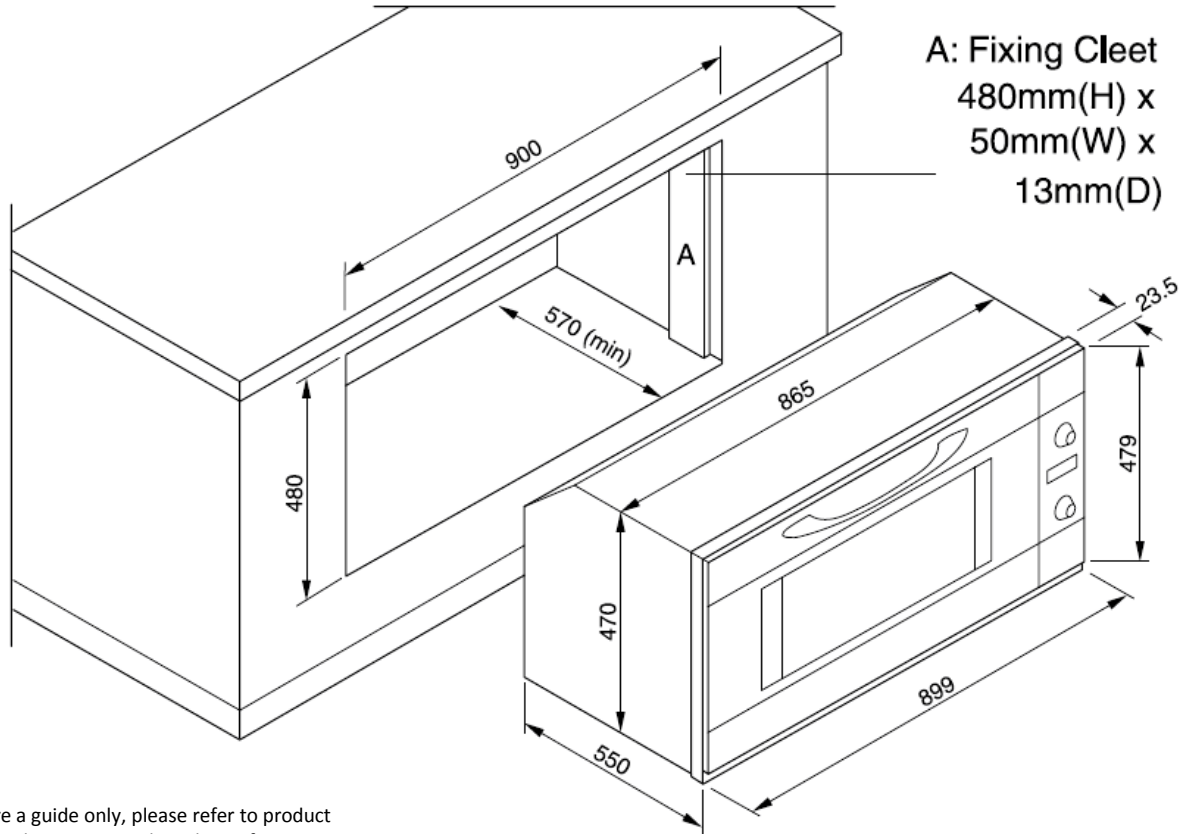
The easy clean interior, removable door, and removable side racks allow for food particles to be easily wiped away.

#### Design

This oven has been designed to compliment all of the cooking appliances in the Technika range.

# T948SS-5

## 900mm Electric Oven



These dimensions are a guide only, please refer to product manual for up to date dimensions and product information

Dimensions	Width	Height	Depth
Cut-out (mm)	900	480	600
Product (mm)	899	479	550

### **READ THE INSTRUCTION BOOKLET BEFORE INSTALLING AND USING THE APPLIANCE.**

The manufacturer will not be responsible for any damage to property or to persons caused by incorrect installation or improper use of the appliance. The manufacturer is not responsible for any inaccuracies, due to printing or transcription errors, contained in this handout. In addition, the appearance of the figures reported is also purely indicative.

The manufacturer reserves the right to make changes to its products when considered necessary and useful, without affecting the essential safety and operating characteristics.

Technika constantly seeks ways to improve the specifications and designs of their products.

Whilst every effort is made to produce up to date literature, this document should not be regarded as an infallible guide.

Actual product only should be used to derive cut out sizes.

All Technika Appliances must be installed by a qualified person/s with adherence to the relevant electrical, plumbing and AGA codes, with compliance being issued as required by state or national legislation.

Additionally all Technika Upright cookers must have chains installed correctly in adherence to the relevant AGA, and plumbing codes by the Licenced installer.

For maximum effectiveness and efficiency all rangehoods should be installed with the use of ductwork, by a licenced installer with adherence to the relevant state and national building codes and regulations.

All Technika appliances are for Domestic use only, and must be installed by a licence installer into Domestic Applications only, without exception and to the required Authorities guidelines. Any installation outside of this will VOID warranty. Alfresco areas are not a Domestic application.