

7kg Vented Dryer

Product Features

- 7kg drying capacity
- 2 star energy rating
- LED display
- 180° door opening
- Child lock
- Delayed Start option
- Anti wrinkle technology
- Large viewing window
- Pause feature
- Front air vent
- Lint filter display
- Connection 10amp



Design

This appliance has been designed to compliment all of the appliances in the Technika range.

Safety

Where available our child lock allows the control panel to be locked so programs can't be altered.

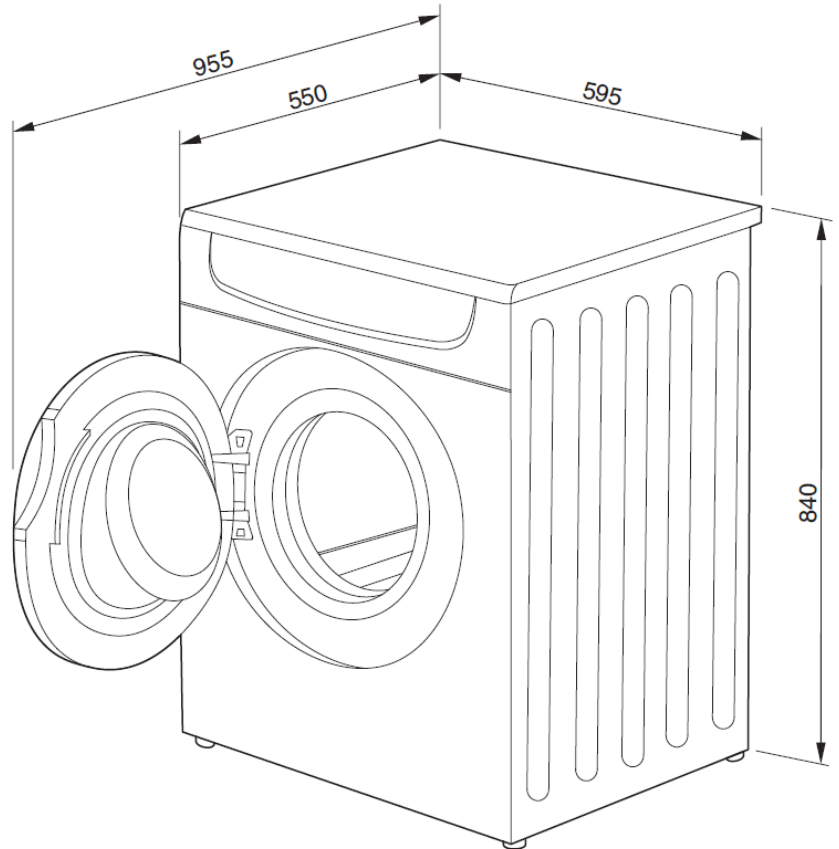
Convenience

This vented dryer has a convenient function that allows you to pause your dryer so you can add those forgotten items in during the cycle.

Delayed start

This feature lets you set a time that is suitable for you for the drying load to start. Just set and forget, you can get home from work knowing that your washing is complete.

7kg Vented Dryer



These dimensions are a guide only, please refer to product manual for up to date dimensions and product information

Dimensions	Width	Height	Depth
Cut-out (mm)	600	850	600
Product (mm)	595	840	550

READ THE INSTRUCTION BOOKLET BEFORE INSTALLING AND USING THE APPLIANCE.

The manufacturer will not be responsible for any damage to property or to persons caused by incorrect installation or improper use of the appliance. The manufacturer is not responsible for any inaccuracies, due to printing or transcription errors, contained in this handout. In addition, the appearance of the figures reported is also purely indicative.

The manufacturer reserves the right to make changes to its products when considered necessary and useful, without affecting the essential safety and operating characteristics.

Technika constantly seeks ways to improve the specifications and designs of their products.

Whilst every effort is made to produce up to date literature, this document should not be regarded as an infallible guide.

Actual product only should be used to derive cut out sizes.

All Technika Appliances must be installed by a qualified person/s with adherence to the relevant electrical, plumbing and AGA codes, with compliance being issued as required by state or national legislation.

Additionally all Technika Upright cookers must have chains installed correctly in adherence to the relevant AGA, and plumbing codes by the Licenced installer.

For maximum effectiveness and efficiency all rangehoods should be installed with the use of ductwork, by a licenced installer with adherence to the relevant state and national building codes and regulations.

All Technika appliances are for Domestic use only, and must be installed by a licence installer into Domestic Applications only, without exception and to the required Authorities guidelines. Any installation outside of this will VOID warranty. Alfresco areas are not a Domestic application.