

HNTB64GWS

60cm Gas Cooktop | Stainless Steel

Bellissimo[™]



Features

| | |
|---------------|-----------------------|
| Finish | Schott Ceramic Glass |
| Type | Electric |
| Cooking Zones | 4 |
| Control Type | LED Touch Controls |
| Safety Switch | Yes, Auto 120 minutes |

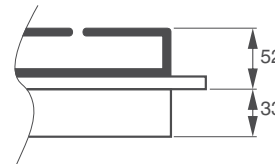
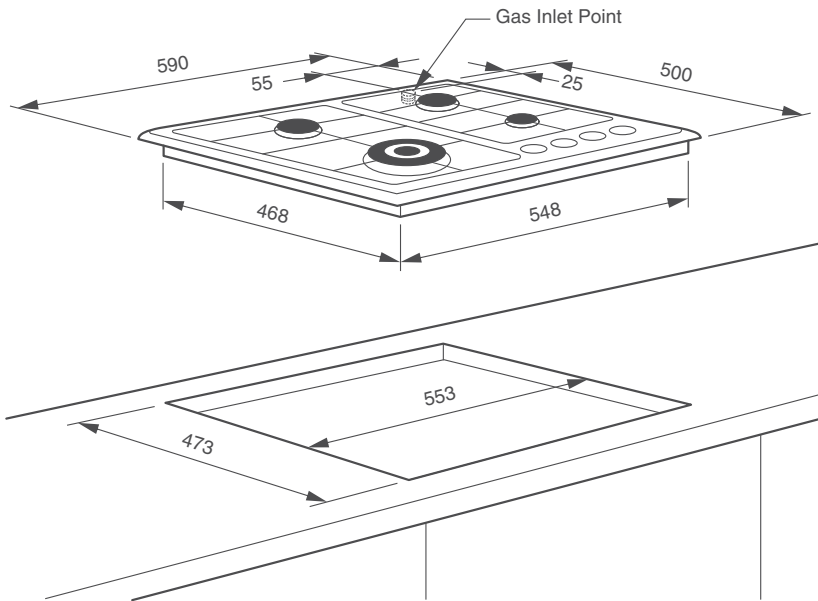
Cooking Zones

| | |
|-------------|---------------------------------------|
| Front Left | Wok - 13.6MJ (NG) / 13.0MJ (LPG) |
| Front Right | Auxiliary - 3.9MJ (NG) / 3.3MJ (LPG) |
| Rear Left | Semi-rapid - 6.9MJ (NG) / 6.0MJ (LPG) |
| Rear Right | Semi-rapid - 6.9MJ (NG) / 6.0MJ (LPG) |

HNTB64GWS

60cm Gas Cooktop | Stainless Steel

*Bellissimo*TM



Safety Features

| | |
|---------------------|-----|
| Flame Safety Device | Yes |
| Automatic Ignition | Yes |

Installation

| | |
|-----------------------|-------------------------|
| Electrical Connection | 10A Plug |
| Power | 220 - 240V, 50Hz |
| Gas Input (NG) | 31.1MJ/h |
| Gas Input (LPG) | 28.3MJ/h |
| Warranty | 5 Years, Parts & Labour |

Dimensions (W x H x D)

| | |
|-------------------|-------------------|
| Product | 590 x 40 x 500mm |
| Cut-out | 553 x NA x 473mm |
| Package | 655 x 165 x 575mm |
| Gross Weight (Kg) | 9.5 |
| Net Weight (Kg) | 7.5 |