

CSDW60SS-6

60cm Freestanding Dishwasher - Stainless Steel

VENETO



DISHWASHER FEATURES

Finish	Stainless Steel
Place Settings	12
Display	LED indicators
Controls	Electronic buttons
Upper Basket Type	Height adjustable
Cutlery Basket	Included
No. of Spray Arms	2
Adjustable Plate Holders	2
Adjustable Mug Shelves	1
Drying System	Natural
Delay Start	3/6/9 hours
Child Lock	Yes
Flood Protection	Overflow Sensor
Rinse Aid Indicator	Yes
Inner Tub Material	Stainless Steel
Inner Tub Base Material	Polycarbonate
Filter Type	3 stage

PROGRAMS

Program 1	Intensive 60°
Program 2	Heavy 55°
Program 3	Eco 45°
Program 4	90min 65°
Program 5	Rapid 40°

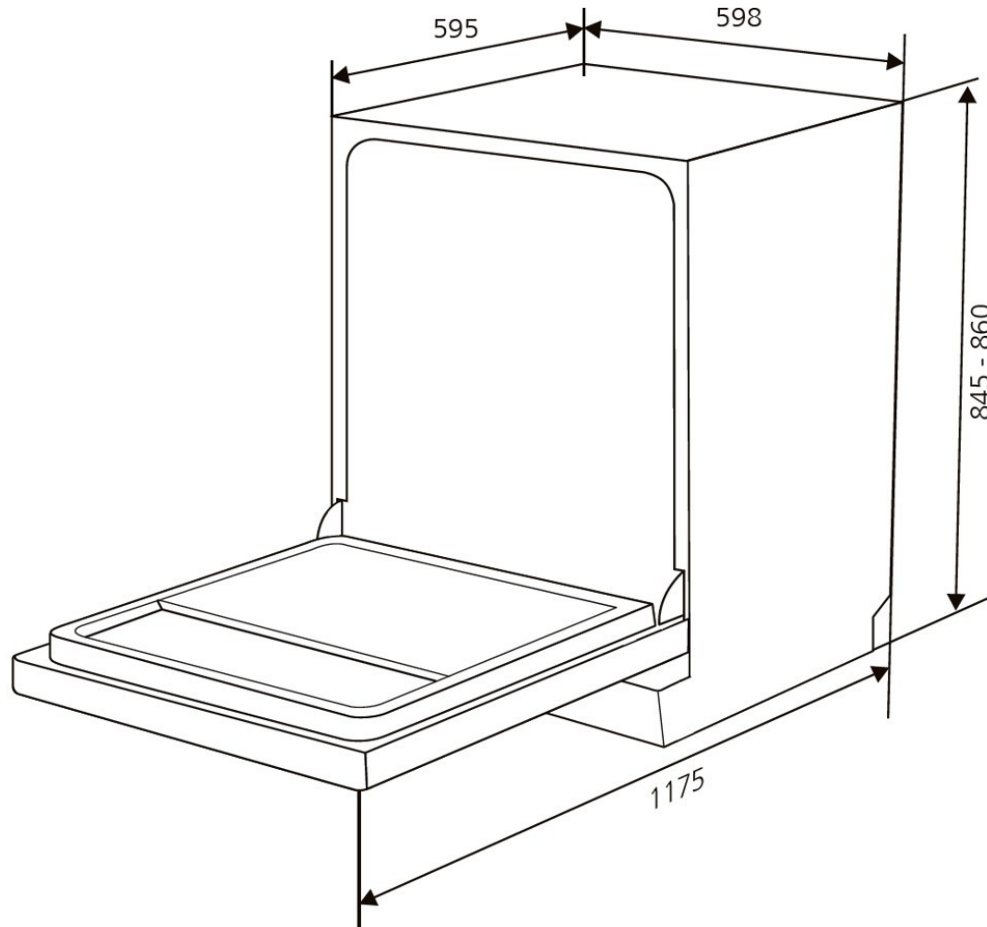
AUXILIARY FUNCTIONS

Function 1	Half Load
------------	-----------

CSDW60SS-6

60cm Freestanding Dishwasher - Stainless Steel

VENETO



SPECIFICATIONS

Electrical Connection	10A plug
Power	220 – 240V / 50Hz
Total Wattage	1760 - 2100W
Heating Element	1800W
Motor	Universal
Energy Rating	3 stars
Annual Energy Usage	270kWh
WELS Star Rating	4.5 stars
Litres Per Wash Cycle	10.8 litres
Noise Level	52dB

DIMENSIONS (W x H x D)

Product Boxed (mm)	645 x 890 x 645
Product Un-boxed (mm)	598 x 845 x 600
Cut-out (mm)	600 x 850-870 x 600

WEIGHT

Product Boxed (kg)	41.5
Product Un-boxed (kg)	38

VERSION NO. 20211018