

TFS54FC-SES

54cm 5 Function Electric Freestanding Cooker | Stainless Steel

TECHNIKA®
COOKING WITH PASSION

PROFESSIONAL SERIES



Key Features

Finish	Stainless Steel
Type	Electric
Capacity	83 Litre Capacity
Shelf Positions	5
Controls	Knob Controls
Side Racks	Removeable
Oven Light	Yes
Cooling System	Yes
Door	Double Glazed
Cooktop Type	Electric Solid Plate
Cooktop Elements	4
Power Levels	6



Oven Functions

Light
Full Grill
Fan Grill
Fan Forced
Defrost

Cooktop Burners

Front Left	1500W
Front Right	1000W
Rear Left	1000W
Rear Right	1500W

Accessories Included

2x Wire Shelves
1x Baking Tray
1x Grill Insert

83L

83L Capacity

Ultra spacious 83L capacity for cooking multiple perfect meals every time.

5

FUNCTIONS

5 Functions

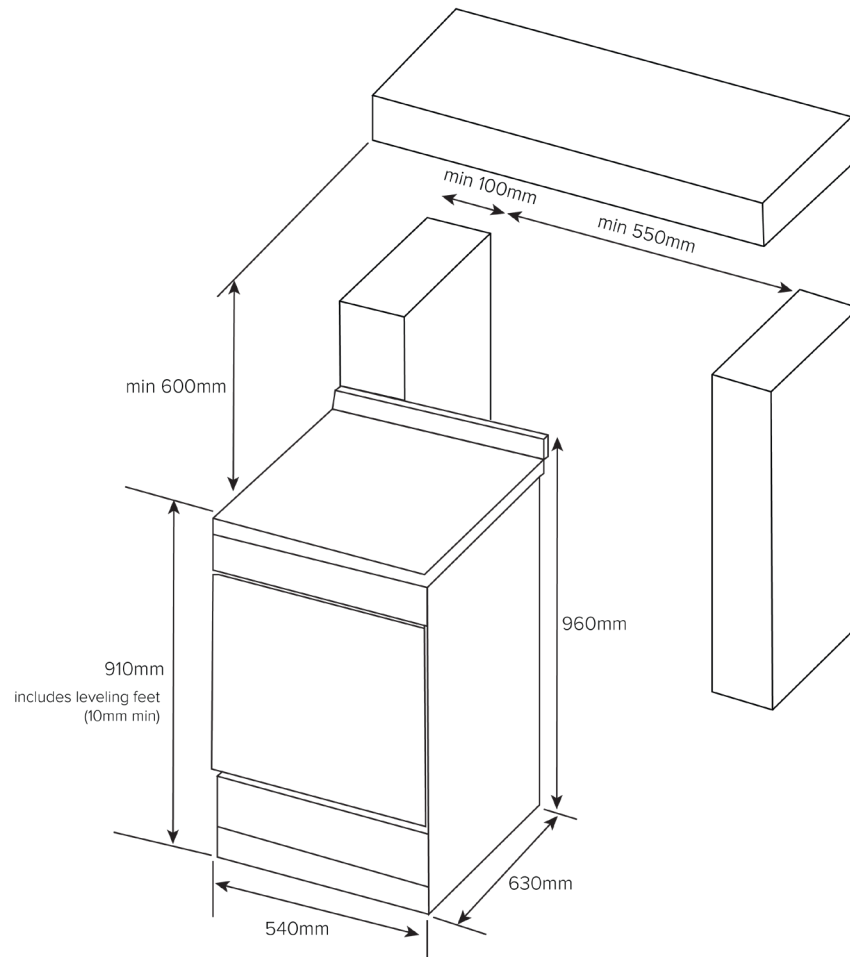
Five functions including Fan Forced and Grill so you can cook various styles with confidence.

TFS54FC-SES

54cm 5 Function Electric Freestanding Cooker | Stainless Steel

TECHNIKA[®]
COOKING WITH PASSION

PROFESSIONAL SERIES



Dimensions (W x H x D)

Product	540 x 910 x 630mm
Cut-out*	590 x 990 x 712mm
Package	550 x 1510 x 630mm
Gross Weight (Kg)	46.5
Net Weight (Kg)	41.5

Installation

Electrical Connection	Hardwired
Voltage / Frequency	220-240V / 50-60Hz
Power	6560 - 7810W
Installation Type	Freestanding
Warranty	2 Years, Parts & Labour



Scan for more info

*Cut-out height includes minimum distance required to rangehood.