

# TSSUR52S

52cm Single Speed Undermount Rangehood

TECHNIKA®



## Features

Finish	Stainless Steel
Installation Type	Undermount
Extraction	700m3/h
No. of Speeds	1*
Filter Type	Honeycomb Mesh
No. of Filters	1
Lighting Type	LED
No. of Lights	2
Controls	None**
Count Down Timer	No

## Accessories

Charcoal Filter	CF10 (Optional)
-----------------	-----------------

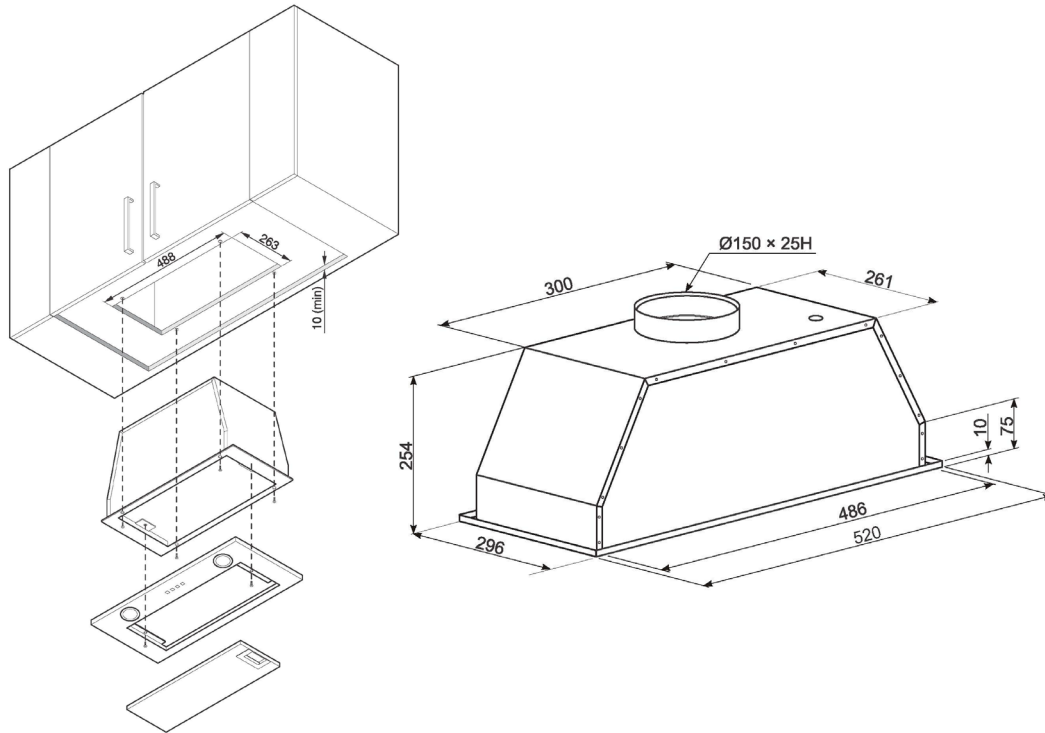
\* When powered on via an isolation switch, motor will operate at full capacity and lighting will be engaged.

\*\* Rangehood is designed to be operated by single isolation switch only and separate speed and light controls are not present on the rangehood.

# TSSUR52S

52cm Single Speed Undermount Rangehood

TECHNIKA®



## Installation

Cabinet Size Required	600mm
Electrical connection	10A Plug & Lead
Power	220 – 240V, 50 / 60Hz
Total Wattage	193W

## Dimensions (W x H x D)

Boxed Dimensions	570 x 325 x 340mm
Product Dimensions	520 x 254 x 296mm
Cut-Out	488 x 269 x 263mm
Spigot Size	150mm

## Weight

Gross Weight	6.8 kg
Net Weight	6.0 kg

Install Range Hoods in accordance with the manufacturer's instructions. Technika recommends that all Range Hood clearances be a minimum of 650mm to a maximum of 750mm (between the top of the cooking surface and to the underside of the rangehood). Distance may be reduced to 600mm to align with the AGA code.

We reserve the right to make changes to products when considered necessary and useful, without affecting the essential safety and operating characteristics.

We are constantly seeking ways to improve specifications and designs of our products. Whilst every effort is made to produce up to date literature, this document should not be regarded as an infallible guide. Actual product only should be used to derive cut out sizes.