

CERHE09PSS-2

90cm 8 Function Ceramic Freestanding Cooker | Stainless Steel

TECHNIKA[®]
COOKING WITH PASSION



Key Features

Finish	Stainless Steel
Type	Electric
Capacity	105 Litre Capacity
Shelf Positions	5
Controls	Knob Controls
Side Racks	Removeable
Oven Light	Twin
Oven Fan	Twin
Cooling System	Yes
Timer	Digital Programmable
Door Glass	Triple Glazed
Cooktop Type	Electric Ceramic
Cooktop Elements	5
Extendable Zones	2
Storage Drawer	Yes

Oven Functions

Full Grill
Fan Grill
Conventional
Top Heat
Base Heat + Fan
Fan Forced
Defrost
Light

Cooktop Elements

Front Left*	1000 / 2200W
Front Right	1200W
Centre*	1100 / 2000W
Rear Left	1200W
Rear Right	1800W



Accessories Included

2x Wire Shelves
1x Baking Tray
1x Grill Insert

105L

105L Capacity

Ultra spacious 105L capacity for cooking multiple perfect meals every time.

8

FUNCTIONS

8 Functions

Eight functions including Fan Forced and Grill so you can cook various styles with confidence.



TRIPLE GLAZED

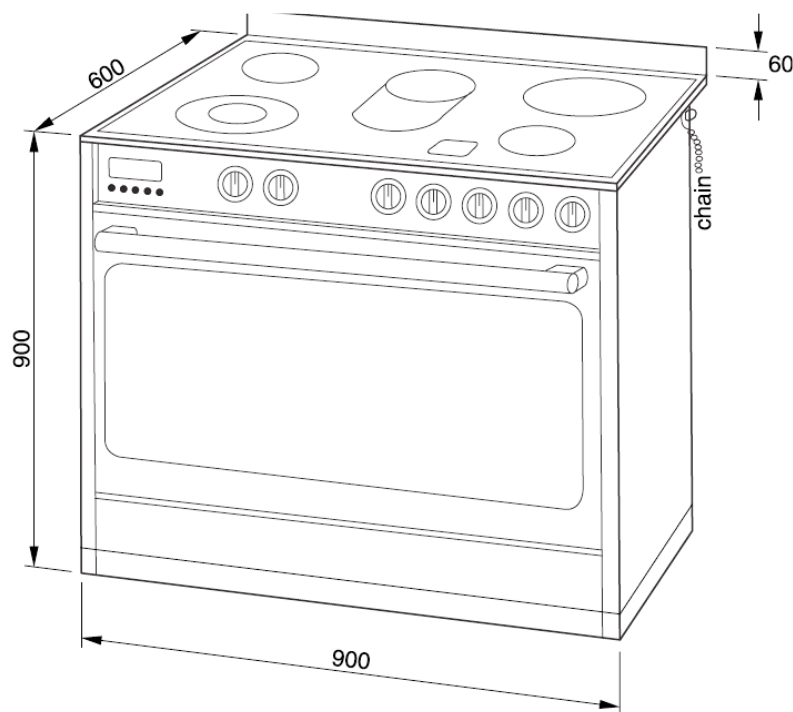
Triple Glazed Doors

Keep the heat in with three layers of glass for quicker, more efficient cooking.

CERHE09PSS-2

90cm 8 Function Ceramic Freestanding Cooker | Stainless Steel

TECHNIKA[®]
COOKING WITH PASSION



Dimensions (W x H x D)

Product	900 x 900 x 600mm
Cut-out	902 x 900 x 600mm
Package	940 x 940 x 700mm
Gross Weight (Kg)	93.0
Net Weight (Kg)	82.5

Installation

Electrical Connection**	32A
Voltage / Frquency	220-240V / 50-60Hz
Power	12650W
Installation Type	Freestanding



Scan for more info

**The amperage noted is the assessed maximum demand as per Table C5 Maximum Demand – Domestic Cooking Appliances found in the AS/NZ 3000 – 2018 wiring rules. This appliance needs to be installed by a licensed electrician who can assess the requirements of the appliance and provide installation advice applicable to the environment for which the appliance shall be installed in.