

45cm fully-integrated dishwasher

Product Features

- 9 place settings
- 6 washing programs
 - Intensive
 - Heavy
 - Normal
 - Rinse
 - Rapid
 - Soak
- Electronic button controls
- LED display
- Delay start (1-24 hours)
- Extra Dry Function
- Adjustable Upper Basket
- Child Lock

- Water Usage (normal wash): 9.4L
- Annual Energy Usage: 204kWh
- Noise Level: 49dB

- WELS water rating: 4 stars
- MEPS energy rating: 3 stars



**Decorative stainless steel door panel and kick plate not included, but available as options

Quiet

This dishwasher is quiet whilst in operation, so whether used during the day, or at night, conversations or sleeping children won't be interrupted.

Convenient

With 9 place settings at your disposal, the TDX4INT-5 has plenty of space to load all of your dishes simultaneously, even after a large dinner party.

Programs

Our dishwashers are available with a range of programs, so your sure to find one that will work in with your lifestyle.

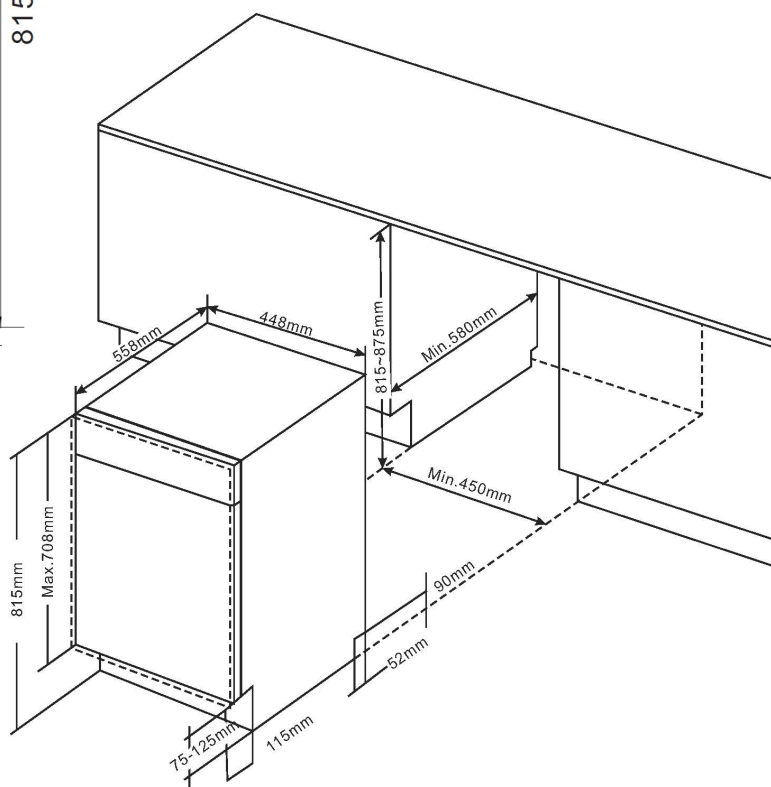
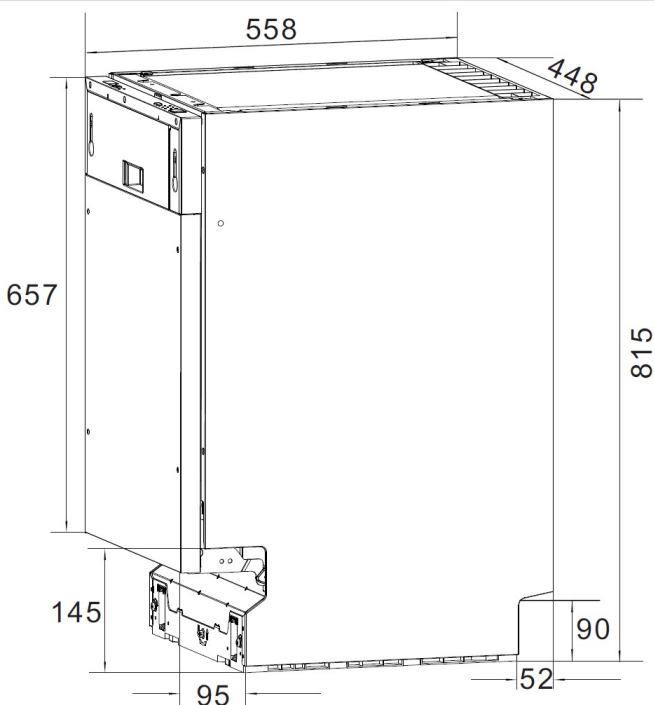
Environmentally friendly

Using only 9.4 litres of water per wash, this dishwasher is water efficient.

Design

This dishwasher has been designed to compliment all of the cooking appliances in the Technika range.

45cm fully-integrated dishwasher



These dimensions are a guide only, please refer to product manual for up to date dimensions and product information

Dimensions	Width	Height	Depth
Cut-out (mm)	450	817 - 875	580
Product (mm)	448	815	558

READ THE INSTRUCTION BOOKLET BEFORE INSTALLING AND USING THE APPLIANCE.

The manufacturer will not be responsible for any damage to property or to persons caused by incorrect installation or improper use of the appliance. The manufacturer is not responsible for any inaccuracies, due to printing or transcription errors, contained in this handout. In addition, the appearance of the figures reported is also purely indicative.

The manufacturer reserves the right to make changes to its products when considered necessary and useful, without affecting the essential safety and operating characteristics.

Technika constantly seeks ways to improve the specifications and designs of their products.

Whilst every effort is made to produce up to date literature, this document should not be regarded as an infallible guide.

Actual product only should be used to derive cut out sizes.

All Technika Appliances must be installed by a qualified person/s with adherence to the relevant electrical, plumbing and AGA codes, with compliance being issued as required by state or national legislation.

Additionally all Technika Upright cookers must have chains installed correctly in adherence to the relevant AGA, and plumbing codes by the Licenced installer.

For maximum effectiveness and efficiency all rangehoods should be installed with the use of ductwork, by a licenced installer with adherence to the relevant state and national building codes and regulations.

All Technika appliances are for Domestic use only, and must be installed by a licence installer into Domestic Applications only, without exception and to the required Authorities guidelines. Any installation outside of this will VOID warranty. Alfresco areas are not a Domestic application.