

# FHEE91A9S-5

90cm Curved Glass Canopy Rangehood | Stainless Steel + Black Glass

TECHNIKA®



## Features

Finish	Stainless Steel + Black Glass
Installation Type	Wall Mounted
Extraction Rate	1,000m <sup>3</sup> /h
Extraction Type	Ducted
No. of Speeds	3 + turbo
Filter Type	Stainless Steel Baffle
No. of Filters	1
Lighting Type	2W LED
No. of Lights	2
Controls	Touch & Slide
Display	Red LED
Timer	Yes

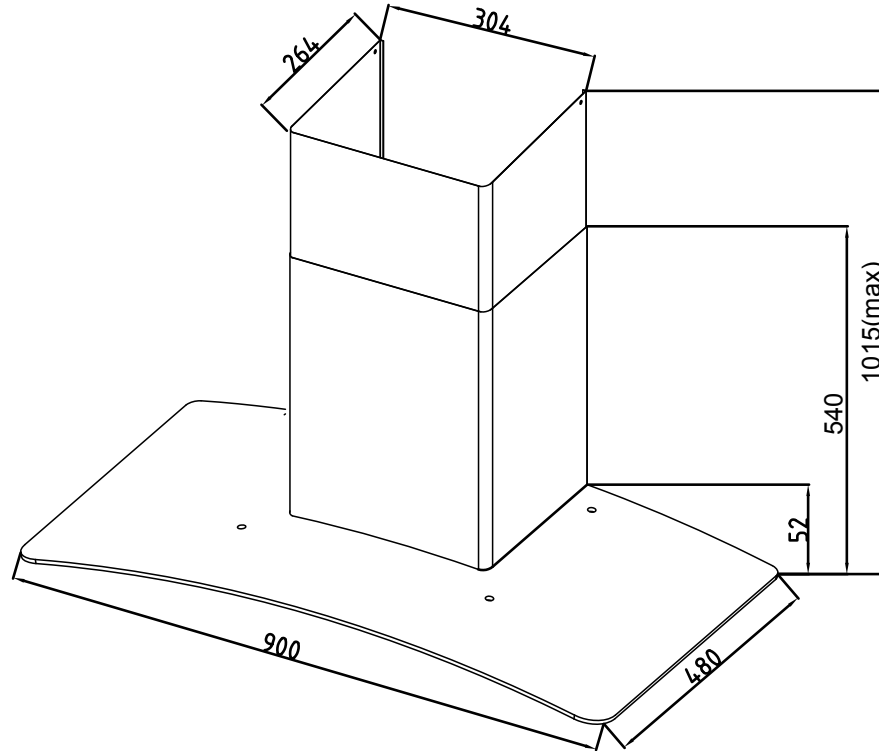


Scan for more info

# FHEE91A9S-5

90cm Curved Glass Canopy Rangehood | Stainless Steel + Black Glass

TECHNIKA®



## Installation

Cabinet Size Required	900mm
Electrical Connection	10A Plug & Lead
Power	220 - 240V, 50 / 60Hz
Motor Wattage	320W
Total Wattage	324W

## Dimensions (W x H x D)

Boxed	950 x 540 x 385mm
Product	900 x 1015 x 480mm
Cut-out	900 x N/A x 480mm
Duct	150mm

## Weight

Gross (Kg)	19.1
Net (Kg)	15.5

Install Rangehoods in accordance with the manufacturer's instructions. Technika recommends that all Rangehood clearances be a minimum of 650mm to a maximum of 750mm (between the top of the cooking surface and to the underside of the rangehood). Distance may be reduced to 600mm to align with AS/NZS 5601.1: 2013.

We reserve the right to make changes to products when considered necessary and useful, without affecting the essential safety and operating characteristics. We are constantly seeking ways to improve specifications and designs of our products. Whilst every effort is made to produce up to date literature, this document should not be regarded as infallible guide. Actual product only should be used to device cut out sizes.

[technika.com.au](http://technika.com.au)