

CHEM52C9CL-5

90cm Canopy Rangehood | Short Flue | Stainless Steel

TECHNIKA®



Features

Finish	Stainless Steel
Installation Type	Wall Mounted
Extraction Rate	760m ³ /h
Extraction Type	Ducted
No. of Speeds	3 + turbo
Filter Type	Aluminium Mesh
No. of Filters	3
Lighting Type	2W LED
No. of Lights	2
Controls	Electronic button - Backlit
Timer	Yes

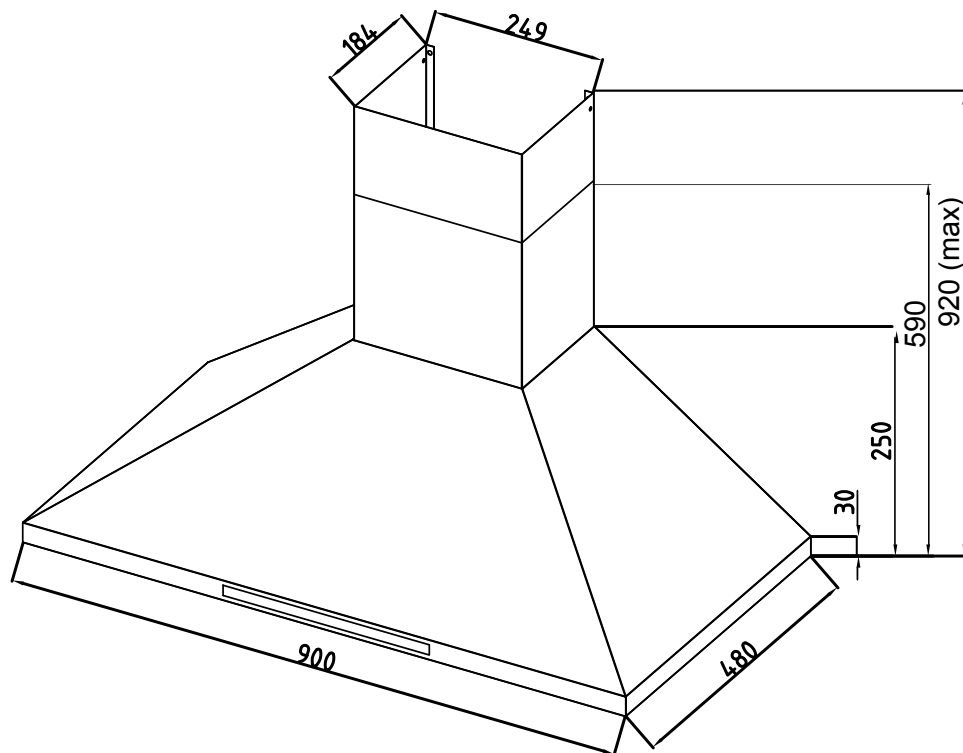


Scan for more info

CHEM52C9CL-5

90cm Canopy Rangehood | Short Flue | Stainless Steel

TECHNIKA®



Installation

Cabinet Size Required	900mm
Electrical Connection	10A Plug & Lead
Power	220 - 240V, 50 / 60Hz
Motor Wattage	220W
Total Wattage	224W

Dimensions (W x H x D)

Boxed	950 x 540 x 310mm
Product	900 x 920 x 480mm
Cut-out	900 x N/A x 480mm
Duct	150mm

Weight

Gross (Kg)	12.7
Net (Kg)	10.7

Install Rangehoods in accordance with the manufacturer's instructions. Technika recommends that all Rangehood clearances be a minimum of 650mm to a maximum of 750mm (between the top of the cooking surface and to the underside of the rangehood). Distance may be reduced to 600mm to align with AS/NZS 5601.1: 2013.

VERSION NO. 20220127

We reserve the right to make changes to products when considered necessary and useful, without affecting the essential safety and operating characteristics. We are constantly seeking ways to improve specifications and designs of our products. Whilst every effort is made to produce up to date literature, this document should not be regarded as infallible guide. Actual product only should be used to device cut out sizes.

technika.com.au