

Product Features

- 105 Litre oven capacity
- 8 Cooking functions
- Manual control knobs
- "A class energy rating" (European standards)
- 5 Button programmable digital clock
- LCD display / clock / timer
- Closed door grilling
- Twin oven light
- Easy clean interior
- Removable triple glazed cool touch door
- Removable side racks
- Large viewing window
- Automatic safety cut off
- Cavity cooling system
- Rotisserie feature available with top & bottom element function
- Connection: 15amp



Easy to clean

The easy clean interior, removable door, and removable side racks allow for food particles to be easily wiped away.

Flexibility

More shelf positions allow more food to be cooked at the same time. If you need space for larger cookware remove the shelves you don't need.

Wide range of cooking functions

With 8 cooking functions including fan forced, full grill, and defrost you have all the functions you need to create any type of recipe.

Precision

Knob controls allow precise temperature levels to be reached.

Safety

Triple glazing and a cavity cooling system keeps the door, controls, and handle cool and protects surrounding cabinets from heat damage.

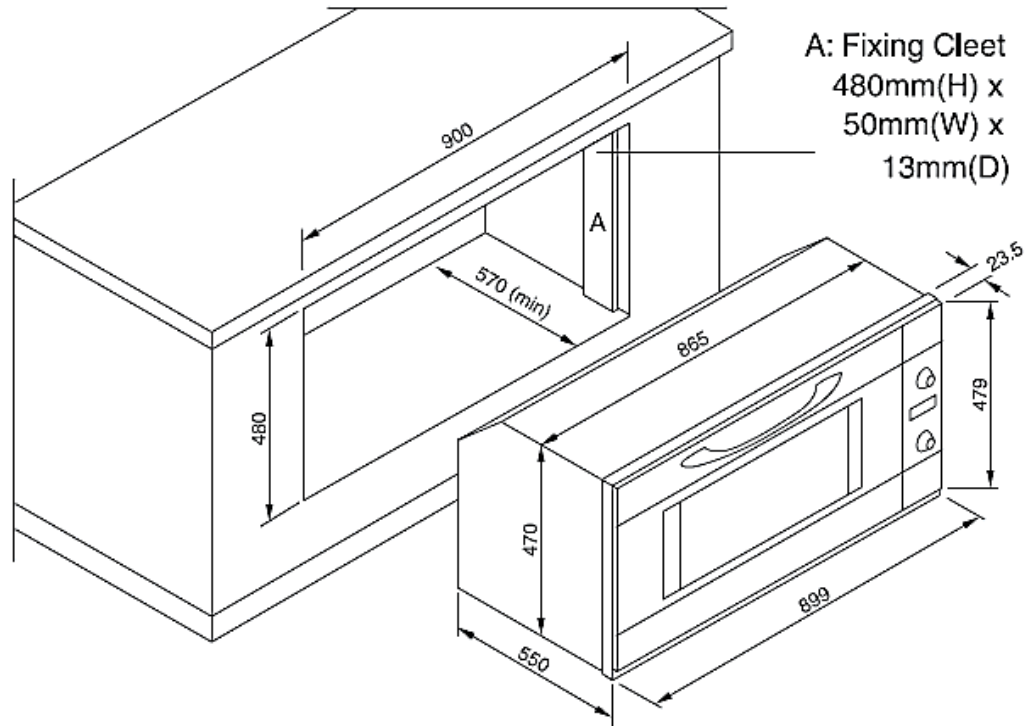
Automatic safety cut off switches the oven off when the maximum operating time has been reached.

Design

This oven has been designed to compliment all of the cooking appliances in the Bellissimo range.

900mm Stainless steel built in oven

Last updated March 2016



These dimensions are a guide only, please refer to product manual for up to date dimensions and product information

Dimensions	Width	Height	Depth
Cut-out (mm)	900	480	600
Product (mm)	899	479	550

READ THE INSTRUCTION BOOKLET BEFORE INSTALLING AND USING THE APPLIANCE.

The manufacturer will not be responsible for any damage to property or to persons caused by incorrect installation or improper use of the appliance. The manufacturer is not responsible for any inaccuracies, due to printing or transcription errors, contained in this handout. In addition, the appearance of the figures reported is also purely indicative.

The manufacturer reserves the right to make changes to its products when considered necessary and useful, without affecting the essential safety and operating characteristics.

Technika constantly seeks ways to improve the specifications and designs of their products.

Whilst every effort is made to produce up to date literature, this document should not be regarded as an infallible guide.

Actual product only should be used to derive cut out sizes.

All Technika Appliances must be installed by a qualified person/s with adherence to the relevant electrical, plumbing and AGA codes, with compliance being issued as required by state or national legislation.

Additionally all Technika Upright cookers must have chains installed correctly in adherence to the relevant AGA, and plumbing codes by the Licenced installer.

For maximum effectiveness and efficiency all rangehoods should be installed with the use of ductwork, by a licenced installer with adherence to the relevant state and national building codes and regulations.

All Technika appliances are for Domestic use only, and must be installed by a licence installer into Domestic Applications only, without exception and to the required Authorities guidelines. Any installation outside of this will VOID warranty. Alfresco areas are not a Domestic application.