

# Gas Water Heater

## *Instruction Manual*

THM2050NG/THM2070NG  
THM2650NG/THM2670NG  
THM2050LPG/THM2070LPG  
THM2650LPG/THM2670LPG



## CONTENTS

	PAGE
<b>1. IMPORTANT NOTES</b> .....	2
1.1. INSTALLATION NOTES .....	2
1.2. SERVICE NOTES .....	2
1.3. PLUMBING NOTES .....	2
<b>2. SPECIFICATION</b> .....	4
<b>3. INTRODUCTION</b> .....	5
3.1. DIMENSIONS AND CONNECTION POINTS (THM2070).....	6
3.2. DIMENSIONS AND CONNECTION POINTS (THM2670).....	7
3.3. SAFETY GUIDELINES.....	8
3.4. GENERAL GUIDELINES.....	8
<b>4. INSTALLATION</b> .....	9
4.1. CONFIRM THE APPLIANCE SUITABILITY .....	9
4.2. SELECTING A SUITABLE LOCATION FOR INSTALLATION .....	10
4.3. CLEARANCES FOR OUTDOOR HEATER LOCATIONS .....	11
4.4. GAS CONNECTION.....	12
4.5. SIZING AND CONNECTION SUITABILITY .....	12
4.6. MEASURING INLET GAS PRESSURE AND TESTING GAS LEAKAGE.....	13
4.7. WATER CONNECTIONS .....	14
4.8. ELECTRICAL CONNECTIONS.....	14
<b>5. REMOTE CONTROLLER</b> .....	15
5.1. REMOTE CONTROLLER INSTALLATION .....	16
5.2. CONNECTION OF REMOTE CONTROLLER WIRING TO THE WATER HEATER.....	17
<b>6. INITIAL OPERATION</b> .....	18
<b>7. NORMAL OPERATION</b> .....	19
7.1. NORMAL OPERATION WITHOUT REMOTE CONTROLLER.....	19
7.2. NORMAL OPERATION WITH MULTIPLE REMOTE CONTROLLERS INSTALLED.....	19
7.3. FREEZE PREVENTION.....	19
<b>8. MAINTENANCE AND SERVICE</b> .....	20
8.1. UNIT DRAINING AND FILTER CLEANING.....	20
8.2. GENERAL TROUBLESHOOTING .....	21
8.3. PCB ERROR CODES .....	22
8.4. WIRING DIAGRAM .....	23
8.5. WATER FLOW AND WATER TEMPERATURE (THM2070) .....	24
8.6. WATER FLOW AND WATER TEMPERATURE (THM2670) .....	24
<b>9. WARRANTY CONDITIONS</b> .....	25

## 1. IMPORTANT NOTES

This manual has been prepared for the relevant licensed professionals of the equipment. Please keep it in a safe place for future reference.

### 1.1 INSTALLATION NOTES

The installation must be done in accordance with the information supplied in this manual. All other relevant national, state and local regulations must also be adhered to including (but are not limited to):

- Australian Standard AS3500.1 – Water Services.
- Australian Standard AS3500.4 – Heated Water Services.
- Australian Standard AS3000 – Electrical Installation.
- Australian Standard AS/NZS5601 – Gas Appliance Installation.
- Local Water, Gas & Electrical Authority Regulations.
- Municipal Building Codes including local OH&S requirements.

### 1.2 SERVICE NOTES

Maintenance and fault-finding must be done in accordance with these instructions and the applicable regulations listed above.



## WARNING

Installation and service must be performed by a licensed professional (for example, a licensed plumber or gas fitter).

### 1.3 PLUMBING NOTES

PLEASE NOTE THM2070 and THM2670 models are supplied with the Maximum outlet temperature of 70°C and the factory pre-set is 55°C outlet water temperature to comply with the requirements of AS 3498 Clause 7.2.2.

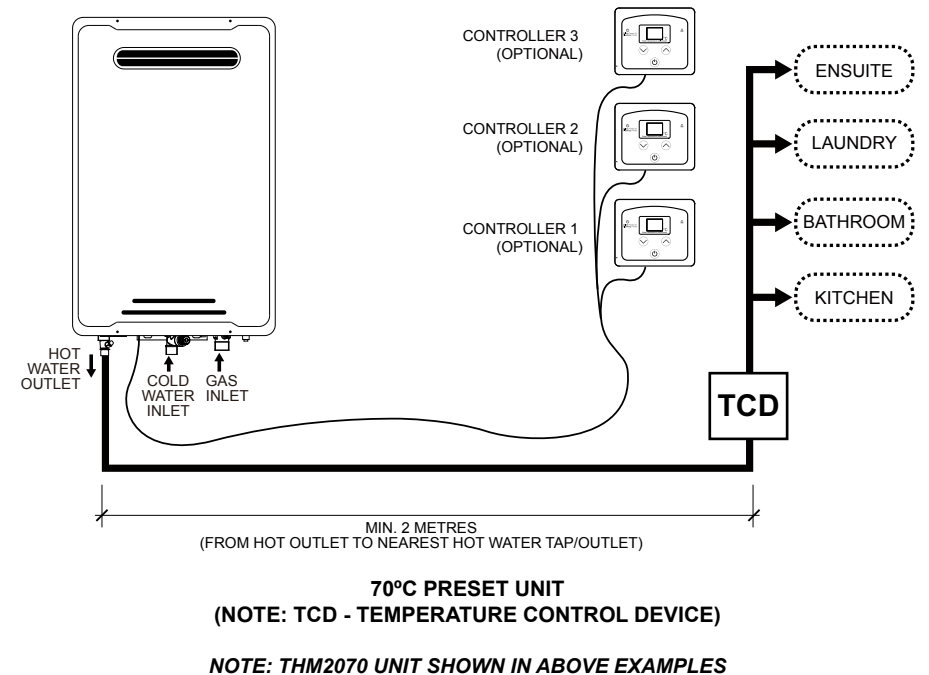
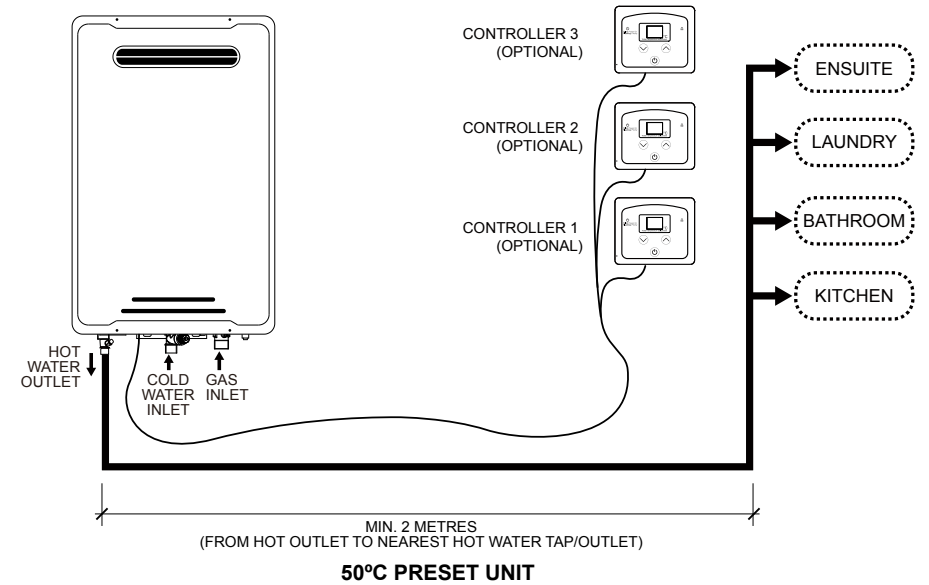
The THM2070 and THM2670 unit **REQUIRES** a temperature control device to be installed.

PLEASE NOTE THM2050 and THM2650 model is supplied factory pre-set at Nominal 50°C maximum outlet water temperature (dip switch preset temperature as 48°C) to comply with the requirements of AS 3498 Clause 7.2.1.

The THM2050 and THM2650 unit **DOES NOT REQUIRE** a temperature control device to be installed.

Please follow all the instructions in the Installation Guide and the following additional instructions for the water heater outlet connection.

- When connecting the hot water supply to the fixtures of the property a minimum of two (2) metres of pipework must be used between the outlet of the water heater and the first tap / outlet. (See Diagram on following page).
- The hot water line should be insulated with Armaflex or similar pipe insulation.
- When the installation is completed the temperature is to be tested at the taps to confirm the water temperature does not exceed the required 50°C setting.
- Water pipe size is nominal 15mm from hot water outlet to the first tap / outlet.
- Gas pipe size is nominal 20mm.



## 2. SPECIFICATIONS

### TECHNICAL DATA AND DIMENSIONS

MODEL	THM2070/THM2050		THM2670/THM2650	
	Natural Gas	Propane (LPG)	Natural Gas	Propane (LPG)
Gas Input (MJ/h)	160		200	
Inlet Pressure (kPa)	1.13 - 3.50	2.75 - 4.00	1.13 - 3.50	2.75 - 4.00
Main Injector (mm)	φ1.65	φ0.96	φ1.70	φ1.10
Test Point Pressure High/Low (kPa)	0.61/0.15	1.89/0.19	0.76/0.15	1.51/0.16
Water Heating Capacity (At 25°C Rise)	20L/min		26L/min	
Max. Water Pressure (kPa)	1000			
Min. Water Pressure (kPa)	150			
Relief Valve Pressure Setting (kPa)	1200			
Gas Connection	3/4" (Nom 20mm)			
Water Connections	1/2" (Nom 15mm)			
Ingress Protection Rating (AS60529):	IPX4			
Ignition	Electronic			
Rated Voltage:	AC.240V/50Hz			
Net Weight (kg)	15.4		19.2	
Gross Weight (kg)	16		22	
Product Dimensions (mm)	595 x 375 x 165		628 x 413 x 177	
Package Dimensions (mm)	748 x 420 x 230		735 x 455 x 267	
IAPMO Gas Mark Approval Number:	GMK10177			
IAPMO Water Mark Approval Number:	WMKA22451			

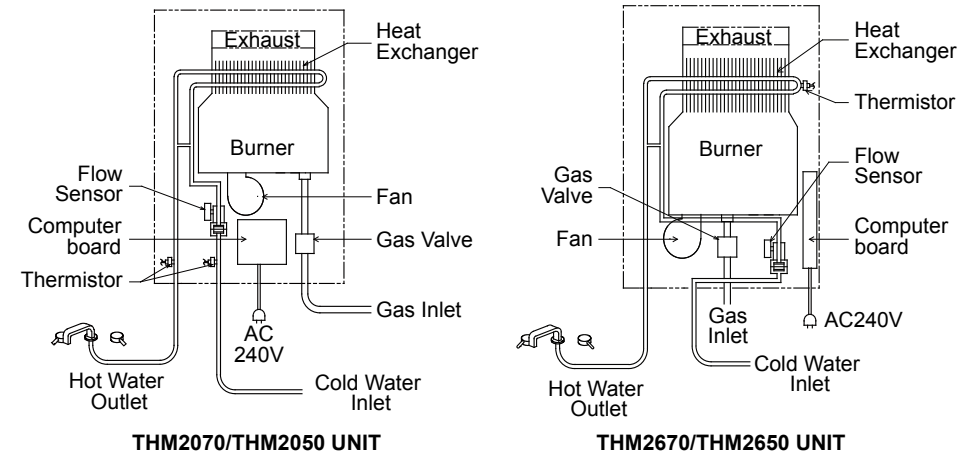


## NOTES

- The appliance will operate at reduced performance below 340 kPa water pressure.
- For information relating to burner test point pressures and injector sizes refer to the name plate located on the right hand side of the case for each model. (please refer to p.9)
- For information relating to overall dimensions and connection points refer to diagrams. (Please refer to p.6 & 7)
- Installing in areas over 1500 m above sea level will reduce performance.

## 3. INTRODUCTION

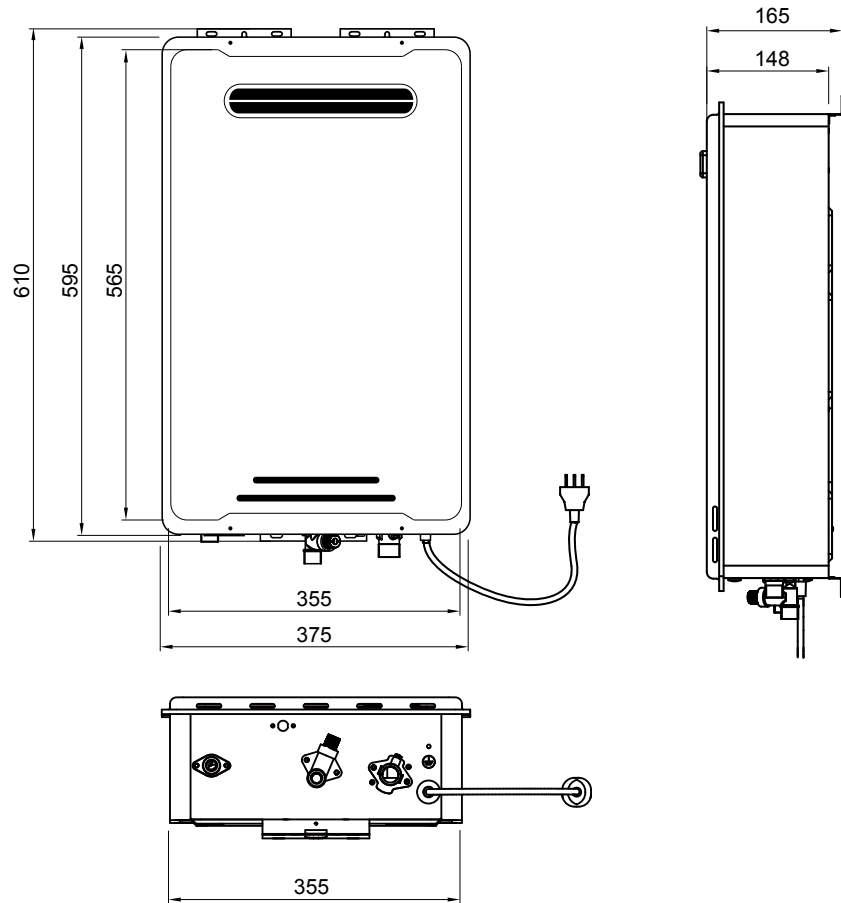
- This manual provides information necessary for the installation, operation, and maintenance of the water heater.
- The model description is listed on the name plate which is attached to the right side of the case of the water heater. (Please refer to p.9)
- Please read all installation instructions completely before installing this product.
- The Water Heater is an instantaneous, water heater designed to efficiently supply endless hot water on demand.
- The principle of the water heater is shown below:



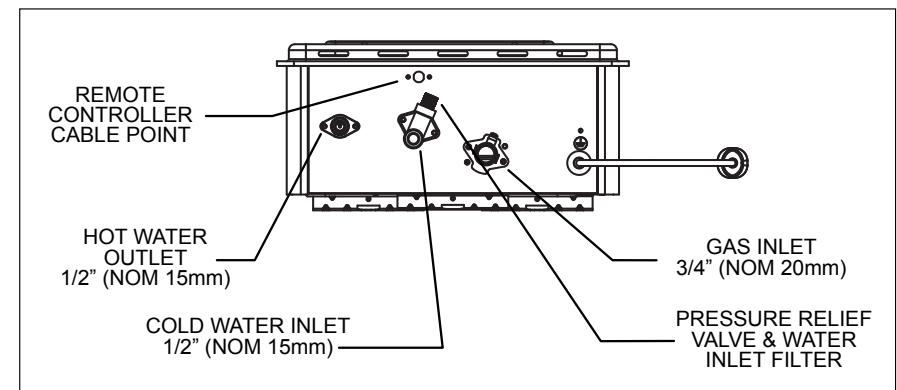
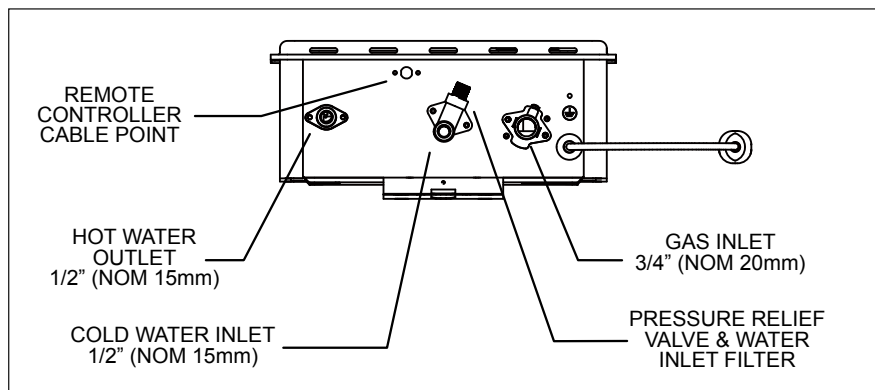
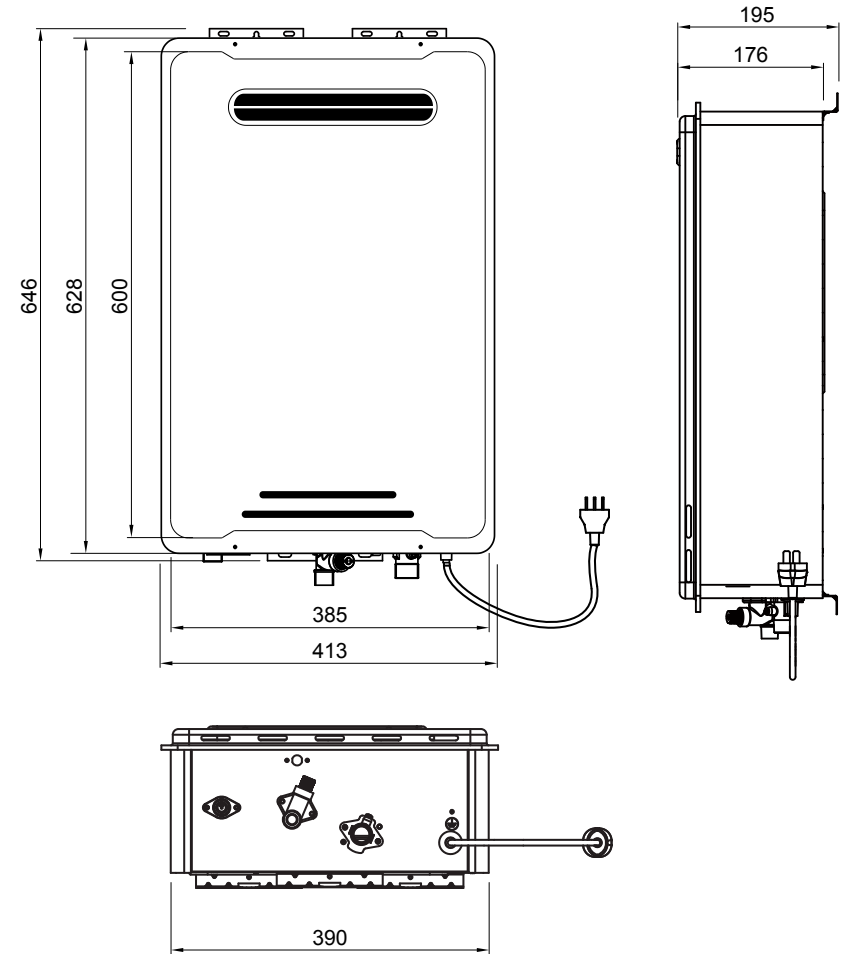
The diagrams are representative only and do not truly represent the physical product.

1. A hot water tap is turned on.
2. Water enters the water heater via the cold water inlet.
3. The water flow sensor detects the water flow.
4. The computer automatically ignites the burner.
5. Water circulates through the heat exchanger and is heated
6. The computer will modulate the gas supply valve and water flow to produce the right amount of hot water at the correct temperature.
7. When the tap is turned off, the unit shuts down.

### 3.1 DIMENSIONS AND CONNECTION POINTS (THM2070/THM2050)



### 3.2 DIMENSIONS AND CONNECTION POINTS (THM2670/THM2650)



### 3.3 SAFETY GUIDELINES

Ensure the following warnings and instructions are read and understood before commencing installation.



## WARNING

- Installation and service must be performed by a licensed professional (for example, a licensed plumber or gas fitter).
- The licensed professional is responsible for the correct installation of the water heater and for compliance with all relevant national, state and local regulations.
- The water heater must be installed **OUTDOORS ONLY**. **DO NOT** install water heater indoors.
- Not to be used as a pool heater.

### 3.4 GENERAL GUIDELINES

- Carefully plan where you intend to install the water heater.  
Please ensure: The water heater has adequate space for natural ventilation;  
Is located where water leakage will not damage surrounding areas  
Has all transit protection/packaging removed.
- Check the name plate and gas type label for the correct **GAS TYPE**, **GAS PRESSURE**, **WATER PRESSURE** and **ELECTRIC RATING**; If this unit does not match operating condition, do not install and consult with your supplier.
- If any problem should occur, turn off the gas, all hot water taps and call a licensed professional



## WARNING

- Water temperatures above 50 °C can cause severe burns or death from scalding. Children, the disabled and the elderly are at a high risk of being injured. Feel the water temperature before bathing or showering. Do not leave children, disabled persons, or the elderly unsupervised. The Australian Standards AS 3498 gives full details of the requirements for supply of controlled temperatures to ablution outlets (bathrooms) and is required to conform to all plumbing codes within Australia.



## PROHIBITED

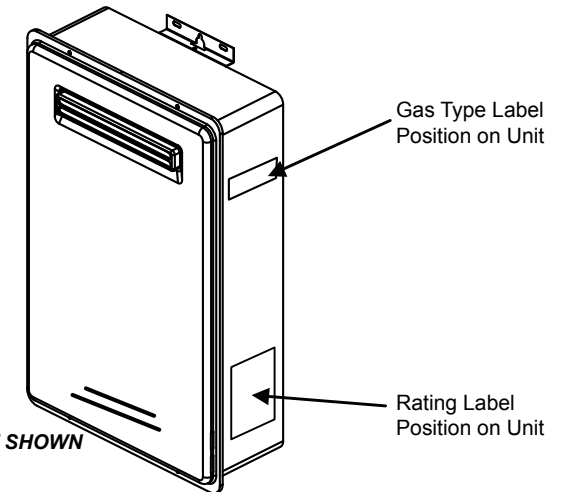
- Do not store or use gasoline or other flammables, vapors, or liquids in the vicinity of this appliance. Vapors from flammable liquids will explode and catch fire causing death or severe burns.
- Do not reverse the water and/or gas connections as this will damage the gas valves and can cause severe injury or death. Follow the diagram on p. 6 & 7 when installing your water heater.
- Do not use this appliance if any part has been in contact with or been immersed in water. Immediately call a licensed professional to inspect and/or service the unit if necessary.
- Do not disconnect the electrical supply if the ambient temperature will drop below freezing. The Freeze Prevention System only works if the unit has electrical power. The warranty will not be covered if the heat exchanger is damaged due to freezing. Refer to the section on the Freeze Prevention System on p. 19 for more information.

### 4. INSTALLATION

The water heater requires careful and correct installation to ensure safe and efficient operation. This manual must be followed. Please read the "SAFETY GUIDELINES" and the "IMPORTANT NOTES" sections at the beginning of this manual.

#### 4.1 CONFIRM THE APPLIANCE SUITABILITY

Check the gas type label and the name plate for the correct gas type, gas pressure, water pressure and electrical rating for your application. Do not install the unit if these requirements are not met.



## CAUTION

- This equipment is not suitable for pool or spa heating.
- Water hardness may affect the water heater performance. It is important that the water heater is installed in water conditions that are suitable for long term operation.
- This is a water heating apparatus only and the delivered water quality is dependent upon the quality of water supplied to this system.
- The connection, attachment, integration or general association of other equipment or parts not specified by the water heater which either directly or indirectly affect the operation or performance of this equipment could void the warranty.
- The manifold pressure is preset at the factory. It is computer controlled and should not need adjustment.
- Please follow the electrical earthing procedure outlined in AS/NZS3000 & AS/NZS3500 before cutting or uncoupling existing metallic pipework.
- It should be as close as practical to the hot water outlets to minimise heat loss and cost.
- The water heater does not require a fireproof back plate if installed on a timber wall.

#### 4.2 SELECTING SUITABLE LOCATION FOR INSTALLATION

Carefully read this section before installation, and selecting the location for installing the water heater. The following precautions should be considered.



### CAUTION

- This is a water heating apparatus only and the delivered water quality is dependent upon the quality of water supplied to this system.
- Although the water heater is designed to operate with minimal noise level, you should not install the unit on a wall adjacent to a bedroom, or a room that is intended for quiet study or meditation, etc.
- Locate your heater close to a drain where leakage will not do damage to surrounding areas. As with any water heating appliance, the potential for leakage at some time in the life of the product does exist.

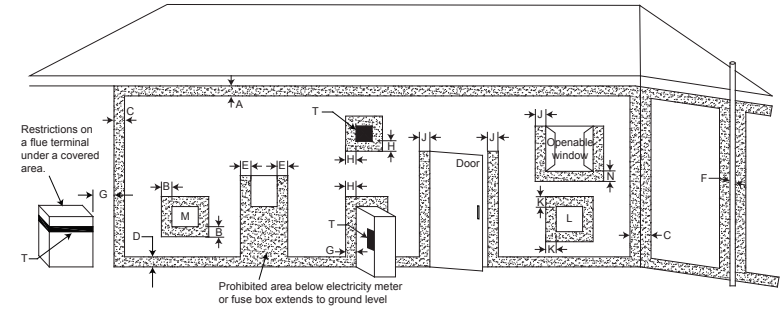


### WARNING

- Every care is taken to warn occupants of the building and the public of any injury that may occur from falling tools, open trenches, water connections or any other general hazard.
- Make sure the water heater will have sufficient room to expel combustion air and operate with natural ventilation.
- Keep the area around the water heater clean. Particles may clog the air vent, reduce fan function, or cause improper combustion.
- Locate the unit for easy access and maintain clearance for service and maintenance. Install the unit so that it can be connected or removed easily.
- The water heater must be installed outdoors only. Do not install the water heater indoors.
- Not to be used as a swimming pool heater.
- Do not locate your water heater in a pit or any location where gas and water can accumulate.
- Please check the proximity of gas & electrical connections so as not to create a hazard and avoid access problems for other services.
- It must be located in accordance with the requirements of AS/NZS5601 and have sufficient clearances from eaves, windows, vents etc. – see the diagram on the p.11.
- “Exemption from Prescribed Statutory Requirement”: AS/NZS5601-2000 Clause 6.9.3. This relates to the physical separation distance specification where multiple appliances are employed. That equates to a minimum 150mm horizontal flue separation distance allowing appliances to be placed side by side in the same vertical plane
- Most load bearing walls such as brick, brick/veneer, weatherboard and stud-frames are suitable locations.
- Securely fasten the unit to the wall with screws or bolts in the top and bottom brackets.

#### 4.3 CLEARANCES FOR OUTDOOR HEATER LOCATIONS-AS/NZS 5601.1:2010

Figure 1



T= Flue terminal  
L= Mechanical air inlet  
M= Gas meter  
P= Electricity meter or fuse box  
Shading indicates prohibited areas for flue terminals

Ref.	Item	Minimum clearances (mm)	
		Natural draft	Auxiliary fan
A	Below eaves, balconies and other projections		
	<ul style="list-style-type: none"> <li>• Appliances up to 50 MJ/h input</li> <li>• Appliances over 50 MJ/h input</li> </ul>	300 500	200 300
B	From the ground, above a balcony or the other surface	300	300
C	From a return wall or external corner	500	300
D	From a gas meter (M) (vent terminal location of regulator)	1000	1000
E	From an electricity meter or fuse box (P)	500	500
F	From a drain or soil pipe	150	75
G	Horizontally from any building structure or obstruction facing a terminal	500	500
H	From any other flue terminal, cowl or combustion air intake	500	300
J	Horizontally from an openable window, door non-mechanical air inlet, or any other opening into a building with the exception of sub-floor ventilation		
	• Appliances up to 150 MJ/h input	500	300
	• Appliances between 150 and 200 MJ/h input	1500	500
	• Appliances over 200 MJ/h input	1500	1500
	• All fan-assisted flue appliances, in the direction of discharge		1500
K	From a mechanical air inlet, including spa blower	1500	1000
N	Vertically below an openable window, non-mechanical air inlet, or any other opening into a building with the exception of sub-floor ventilation		
	• Space heaters up to 50 MJ/h input	150	150
	• Other appliances up to 50 MJ/h input	500	500
	• Appliances between 50 and 150 MJ/h input	1000	1000
	• Appliances over 150 MJ/h input	1500	1500

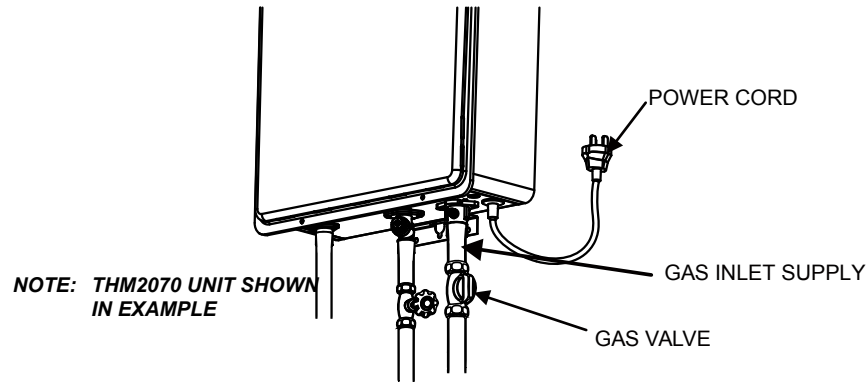
\*Unless appliance is certified for closer installation



### NOTE

- All distances are measured to the nearest part of the terminal.
- See Appendix J, Figures J2(a) and J3(a), for clearances required from a flue terminal to an LP Gas cylinder. A flue terminal is considered to be a source of ignition.
- For appliances not addressed above acceptance should be obtained from the technical regulator.

#### 4.4 GAS CONNECTION



#### CAUTION

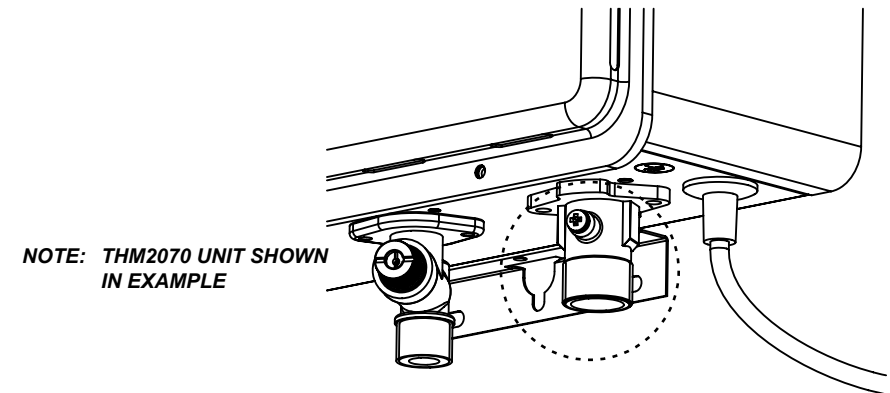
- Turn off the electric power to the water heater and manual gas valve located on the outside of the unit before beginning gas connection.
- Confirm the position of the gas inlet. Do not connect water line to gas inlet.

#### 4.5 SIZING AND CONNECTION SUITABILITY

- Check the gas type label to make sure that the unit was built for the type of gas you will be using, and that the gas inlet pressure is within the appropriate range. (Please refer to p.4.)
- Gas pressure below this specified range for the water heater and/or insufficient gas volume will adversely affect performance.
- Inlet gas pressure must not exceed the maximum values; gas pressure above the specified range will cause dangerous operating conditions and damage to the unit.
- Until testing of the main gas line supply pressure is completed, ensure the gas line to the water heater is disconnected to avoid any damage to the water heater.
- Size the gas piping according to AS/NZS5601 installation code for the correct pipe sizing for the water heater.
- Always use approved connectors to connect the unit to the gas line. Always purge the gas line of any debris before connecting to the water heater.
- Install a manual gas shut-off valve between the water heater and the gas supply line.
- The regulator is preset at the factory. It is computer controlled and is not to be adjusted by any person other than a licensed professional.
- When the gas connections are completed, perform a gas leak test either by applying soapy water to all gas fittings and observing for bubbles or by using a gas leak detection device.

#### 4.6 MEASURING INLET GAS PRESSURE AND TESTING GAS LEAKAGE

The appliance and its gas connections must be fully tested before the unit is put into operation for proper performance and safety.



- Shut off the manual gas valve on the supply gas line.
- Open a tap/outlet. The unit should turn on and the gas in the gas pipe line should be purged. Leave the tap/outlet running until the unit shuts down due to lack of gas supply. Then turn off the tap/outlet.
- Remove the screw on the pressure port located on the gas inlet of the water heater shown in the diagram to the above.
- Connect the manometer to the pressure port.
- Re-open the manual gas valve. Check to see that there are no gas leaks.
- Open some of the fixtures that use a high flow rate to turn on the water heater.
- Check the inlet gas pressure. When the water heater is at a maximum operation capacity, the inlet gas pressure point must be within the appropriate range. (Please refer to p.4)

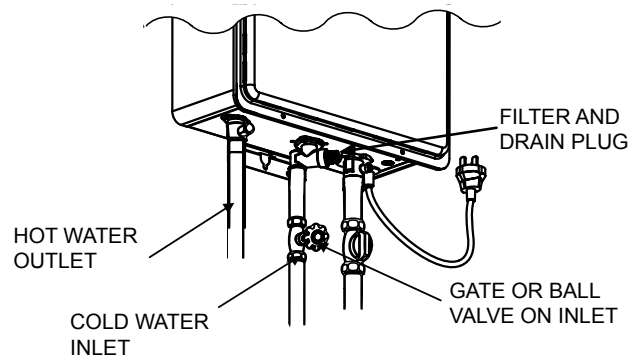


### WARNING

Conversion of this unit from natural gas to propane (LPG) or propane (LPG) to natural gas cannot be done in the field. Contact your supplier to get the correct unit for your gas type.



#### 4.7 WATER CONNECTIONS



- All pipes, pipe fittings, valves and other components, including soldering materials, must be suitable for potable water systems.
- A manual shut off valve must be installed on the cold water inlet to the water heater between the main water supply line and the water heater.
- Only a gate valve or a ball valve is to be used on the cold water supply.
- Check the cold water pressure. If above 1000 kPa an approved limiting valve must be fitted.
- Before installing the water heater, flush the water line to remove all debris, and after installation is complete, purge the air from the line. Failure to do so may cause damage to the heater.
- There is a wire mesh filter to discourage debris from entering your heater. Clean filter after initial installation to ensure no debris from the pipe work has clogged it.



### WARNING

Do not reverse the hot outlet and cold supply line connections to the water heater as this will cause your heater to operate improperly.

#### 4.8 ELECTRICAL CONNECTION

- The water heater must be electrically grounded. Do not attach the ground wire to either the gas or water piping.
- The water heater requires an AC 240V 50Hz electrical power supply and draws a current of 0.8A. The weather-proof power point should be no more than 1 meter from the base of the water heater for easy access.
- Install a power switch so that the electrical power can be switched off if necessary.
- If the cord supplied with this appliance must be replaced, it must be replaced with the correct appliance wiring material supplied by the Manufacturer.
- When servicing or replacing parts within the water heater, label all wires prior to disconnection to facilitate an easy and error free reconnection. Verify proper operation after servicing

#### 5. REMOTE CONTROLLER (OPTIONAL)

Remote controllers are available as an optional extra. The water heater can be installed with up to three remote controllers. Each remote controller has two functions which can adjust the set temperature and indicate the error code.

- **PRIORITY function:** The controller that is activated first (i.e. button is pressed) is given PRIORITY function, and can freely adjust the temperature. Remaining controllers will display the set temperature however will not be able to make any adjustments. After a 10 minute period of inactivity the priority on the first remote will cease and priority can then be assigned to another remote by activating it (i.e. a button is pressed). Then the new controller has priority and the cycle repeats
- **Default setting temperature:** At the initial power on, the setting temperature will be the same as the value set on DIP switch. After the initial use, it will remember the former setting temperature.
- All water heater models have self diagnostic function for safety and convenience when trouble shooting. If there is a problem with the installation or the unit, it will display a numerical error code on the remote controller (or the LED of the computer board will blink.)

##### Remote controller installation requirements

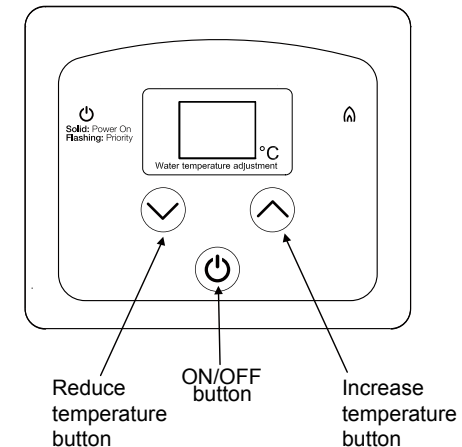
- The remote controllers are splash resistant, however should not be positioned where it can be splashed directly & should be appropriately sealed between the surface of the wall & controller.
- The remote controller can be installed in the bathroom provided it is correctly installed.

##### Remote controllers output temperature setting (70°C mode)

- The remote controller is able to adjust the output temperature in the range of 38°C to 65°C in one degree increments.

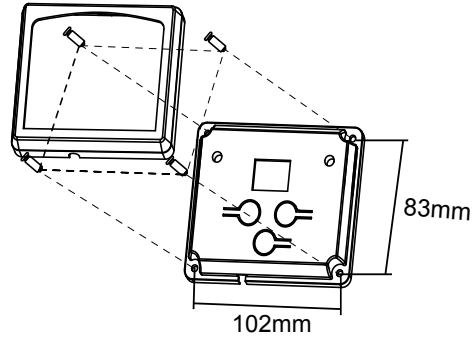
##### Remote controllers output temperature setting (50°C mode)

- The remote controller is able to adjust the output temperature in the range of 38°C to 48°C in one degree increments.



## 5.1 REMOTE CONTROLLER INSTALLATION

- The remote controller shall be connected by a cable with the specifications below:
  - a. Minimum 18AWG wire
  - b. Maximum run of 60m
- Attach the remote control to the wall with screws supplied.



## WARNING

- DO NOT locate the remote controls where they may come into contact with water.
- DO NOT position the remote controls in the vicinity of chemicals.
- DO NOT position the remote controls over a heat generating appliance (i.e. cooker, toaster)
- DO NOT position the remote controls where materials may spill onto them.
- PLEASE NOTE IF THE CONTROLS ARE TO BE FITTED TO A METAL SURFACE AN INSULATION PLATE SHOULD BE PROVIDED BEHIND THE MOUNTING POSITION.

## 5.2 CONNECTION OF REMOTE CONTROLLER WIRING TO THE WATER HEATER

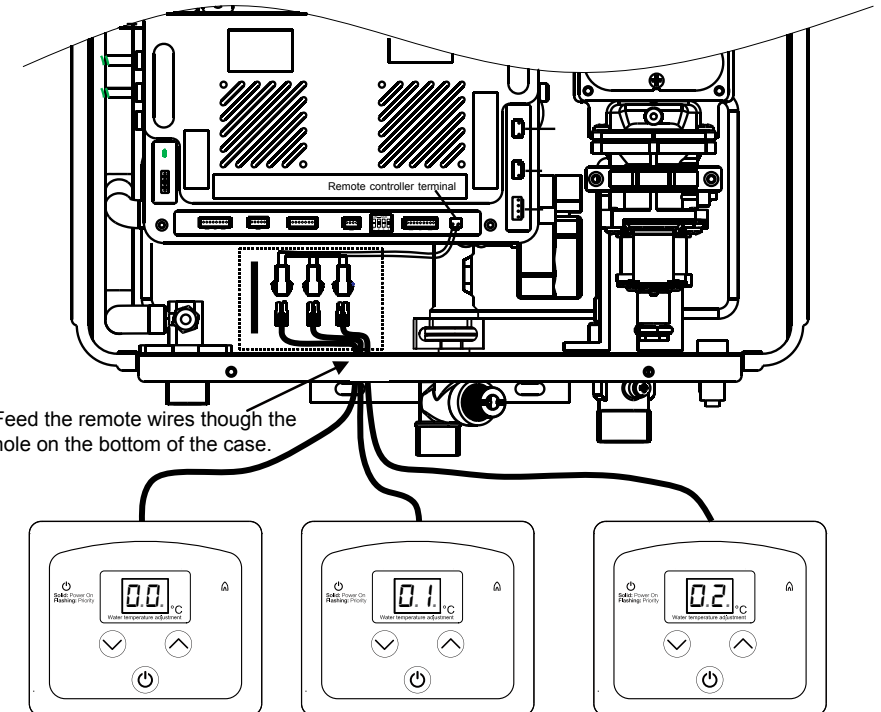
1. Turn off the power supply to the water heater.
2. Remove the front cover from the water heater. There are 4 screws on the front cover.
3. Feed the remote wires through the hole on the bottom of the case.
4. Connect the first controller only and turn on the power supply to the water heater.
5. Turn off the first controller by pressing the on/off button (LED light will turn off).
6. Continue to connect any additional remote control wires to the remote terminals directly.

**DO NOT jump or short-circuit wires otherwise the PCB may become damaged.**

7. Return the front cover.

**DO NOT turn on the remotes until instructed.**

8. Activate the first remote by pressing & holding the 'cool' (down arrow) button for 5 secs until a single beep sounds. Then press & hold the 'heat' (up arrow) button for 5 seconds until the LED screen lights up.
9. Adjust the on screen value to set the ID (available ID's include 00, 01, 02). Press the on/off button to confirm
10. Repeat for all additional controllers.
11. Controllers can now be turned on and will operate as per the PRIORITY function (refer to p. 15)







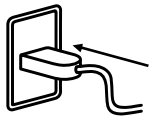
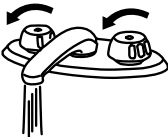
Feed the remote wires through the hole on the bottom of the case.

TYPICAL CABLE LAYOUT

## 6. INITIAL OPERATION

### FOR YOUR SAFETY, READ BEFORE OPERATING:




- Check the GAS and WATER CONNECTIONS for leaks before startup for the first time.
- Open the main gas supply valve to the unit using only your hand to avoid any spark. Never use tools. If the knob will not turn by hand, do not try to force it. Forced repair may result in a fire or explosion due to gas leaks.
- Check the GAS PRESSURE. Refer to p.4
- Do not try to light the burner manually. It is equipped with an electronic ignition device which automatically lights the burner.
- Check for PROPER VENTING and COMBUSTIBLE AIR to the heater.
- Purge the GAS and WATER LINES to remove any air pockets.
- Do not use this water heater if any part has been submersed under water.

<p>1. Once the above checks have been completed, please clean filter of any debris. Refer to p. 20 for instructions.</p> 	<p>2. Fully open the manual water control valve on the water supply line</p> 	<p>3. Open a hot water tap to verify that water is flowing to that tap.</p> 
<p>4. Fully open the manual gas control valve installed.</p> 	<p>5. Turn on the 240 volt 50 Hz power supply to the water heater.</p> 	<p>6. Now you are ready to enjoy hours of endless hot water.</p> 

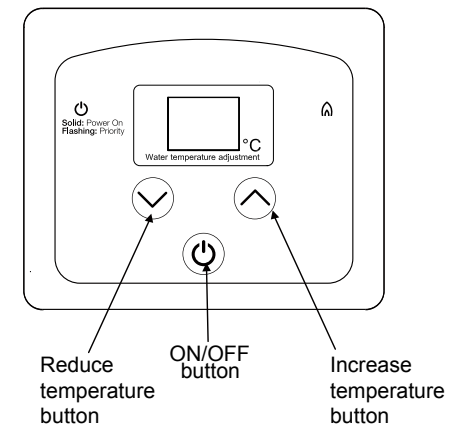
## 7. NORMAL OPERATION

- Flow rate to activate the water heater: 3.0 litre per minute.
- Flow rate to keep the water heater running: 2.5 litre per minute.

### 7.1 NORMAL OPERATION WITHOUT REMOTE CONTROLLER

<p>1. Open a hot water tap.</p> 	<p>2. Mix cold water with the hot to get the correct temperature water.</p> 	<p>3. Close the hot water tap.</p> 
---	---	--

### 7.2 NORMAL OPERATION WITH MULTIPLE REMOTE CONTROLLERS INSTALLED



- Press the ON/OFF button. The Power light will become lit on the remote controller with setting temperature displayed on each of the remote controllers. The controller with PRIORITY function will have a flashing Power light.
- Set the required temperature using the Cool & Heat Buttons. (The temperature setting can only be changed by the priority controller. (Refer to p. 15 for detail regarding the PRIORITY function))
- Open a hot water tap, and ensure the Burner ON light is lit. Mix cold water with the hot as required.
- Close the hot water tap. The Burner light will turn off.

### 7.3 FREEZE PREVENTION

#### CAUTION

Only the pipes and heat exchanger inside the water heater will be protected. Any hot or cold water pipes located outside of the unit will not be protected. Proper protection and insulation of these pipes will be required to ensure these are protected from freezing.

## 8. MAINTENANCE AND SERVICE

The water heater should be checked at least once a year or as necessary by a licensed technician. If repairs are needed, any repairs should be done by a licensed technician. The water heater's lifetime may be extended by regular maintenance.



### WARNING

Turn off the electrical power supply and close the manual gas control valve and the manual water control valve before servicing.

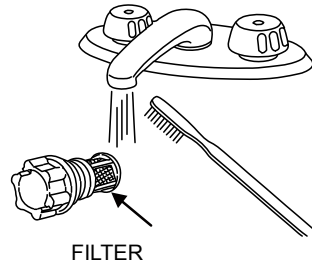
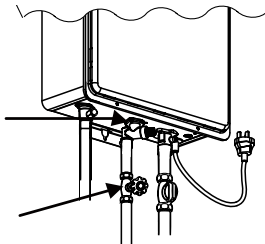
- Clean the cold-water inlet filter. (Refer to diagram below).
- Be sure that all openings for combustion air are not blocked. If blocked, remove obstruction.
- Check that the opening for exhaust is not blocked. If blocked, shutoff the water heater's combustion. And then after a while, remove obstruction. DO NOT touch while unit operating, otherwise you might get burnt due to high temperature.
- Check the gas pressure.
- Keep the area around the water heater clear. Remove any combustible materials, gasoline or any flammable vapors and liquids.

### 8.1 UNIT DRAINING AND FILTER CLEANING

- Close the manual gas shut off valve.
- Turn off the power supply to the water heater.
- Close the manual water shut off valve.
- Open all hot water taps in the house (Bathroom, kitchen, laundry, etc.). When the residual water flow has ceased, close all hot water taps.
- Have a bucket or container to catch the water from the unit's drain plugs. Unscrew the drain plugs to drain all the water out of the unit.
- Wait a few minutes to ensure all water has completely drained from unit.
- Clean the filter: Check the water filter located within the cold inlet. With a tiny brush, clean the water filter of any debris which may have accumulated and reinsert the filter back into the cold water inlet.
- Securely screw the drain plugs back into place. Hand- tighten only.

REMOVE BY TURNING COUNTER CLOCKWISE AND THEN CLEAN AND REPLACE

1. TURN OFF THE WATER INLET SUPPLY VALVE.
2. OPEN A HOT WATER TAP TO RELEASE THE LINE PRESSURE.



## 8.2 GENERAL TROUBLESHOOTING

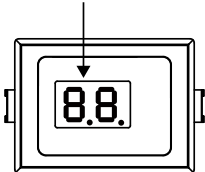
~ TEMPERATURE and AMOUNT OF HOT WATER ~	
PROBLEM	POSSIBLE SOLUTIONS
It takes long time to get hot water at the fixtures.	<ul style="list-style-type: none"> <li>• The time it takes to deliver hot water from the water heater to your fixtures depends on the length of piping between the two. The longer the distance or the larger the pipes, the longer it will take to get hot water.</li> </ul>
The water is not hot enough.	<ul style="list-style-type: none"> <li>• Compare the flow and temperature. See the chart on p. 24.</li> <li>• Check cross plumbing between cold water lines and hot water lines.</li> <li>• Is the gas supply valve fully open? (p. 18)</li> <li>• Is the gas line sized properly? (p. 12)</li> <li>• Is the gas supply pressure enough? (p. 13)</li> <li>• Is the set temperature set too low? (p. 23)</li> </ul>
The water is too hot.	<ul style="list-style-type: none"> <li>• Is the set temperature set too high? (p. 23)</li> </ul>
The hot water is not available when a fixture is opened.	<ul style="list-style-type: none"> <li>• Make sure the unit has 240V 50Hz power supply.</li> <li>• If you are using the remote controller, is the power button turned on? (p. 19)</li> <li>• Is the gas supply valve fully open? (p. 18)</li> <li>• Is the water supply valve fully open? (p. 18)</li> <li>• Is the filter on cold water inlet clean? (p. 20)</li> <li>• Is the hot water fixture sufficiently open to draw at least 3.0l/min through the water heater? (p. 19)</li> <li>• Is the unit frozen?</li> <li>• Is there enough LPG in the bottle? (for propane)</li> </ul>
The hot water gets cold and stays cold.	<ul style="list-style-type: none"> <li>• Is the flow rate enough to keep the water heater running? (p. 19)</li> <li>• Is the gas supply valve fully open? (p. 18)</li> <li>• Is the filter on cold water inlet clean? (p. 20)</li> <li>• Are the fixtures clean of debris and obstructions?</li> </ul>
Fluctuation in hot water temperature.	<ul style="list-style-type: none"> <li>• Is the filter on cold water inlet clean? (p. 22)</li> <li>• Is the gas line sized properly? (p. 12)</li> <li>• Is the supply gas pressure enough? (p. 13)</li> <li>• Check for cross connection between cold water lines and hot water lines.</li> </ul>

~ WATER HEATER ~	
PROBLEM	POSSIBLE SOLUTIONS
The Unit does not ignite when water goes through the unit.	<ul style="list-style-type: none"> <li>Is the flow rate over 3.0l/min? (p. 19)</li> <li>Check for the filter on cold water inlet. (p. 20)</li> <li>Check for reverse connection and cross connection.</li> <li>If you use the remote controller, is the power button turned on? (p. 19)</li> </ul>
The fan motor is still spinning after operation has stopped.	<ul style="list-style-type: none"> <li>This is normal. After operation has stopped, the fan motor keeps running for 15 ~ 75 seconds in order to re-ignite quickly, as well as push all exhaust gas out of the flue.</li> </ul>
~ REMOTE CONTROLLER (OPTIONAL) ~	
PROBLEM	POSSIBLE SOLUTIONS
Remote controller does not display anything when the power button is turned on.	Press the ON/OFF button. If the light does not light up ⇒ <ul style="list-style-type: none"> <li>Make sure the unit has power supply.</li> <li>Make sure the connection to the unit is correct.(p. 17)</li> </ul>
An ERROR code is displayed.	Please see the p.22
Remote controller can not change the set temperature.	Is power light flashing? If it is not, locate priority controller and turn off, or wait for 10 mins on inactivity

### 8.3 PCB Error Codes

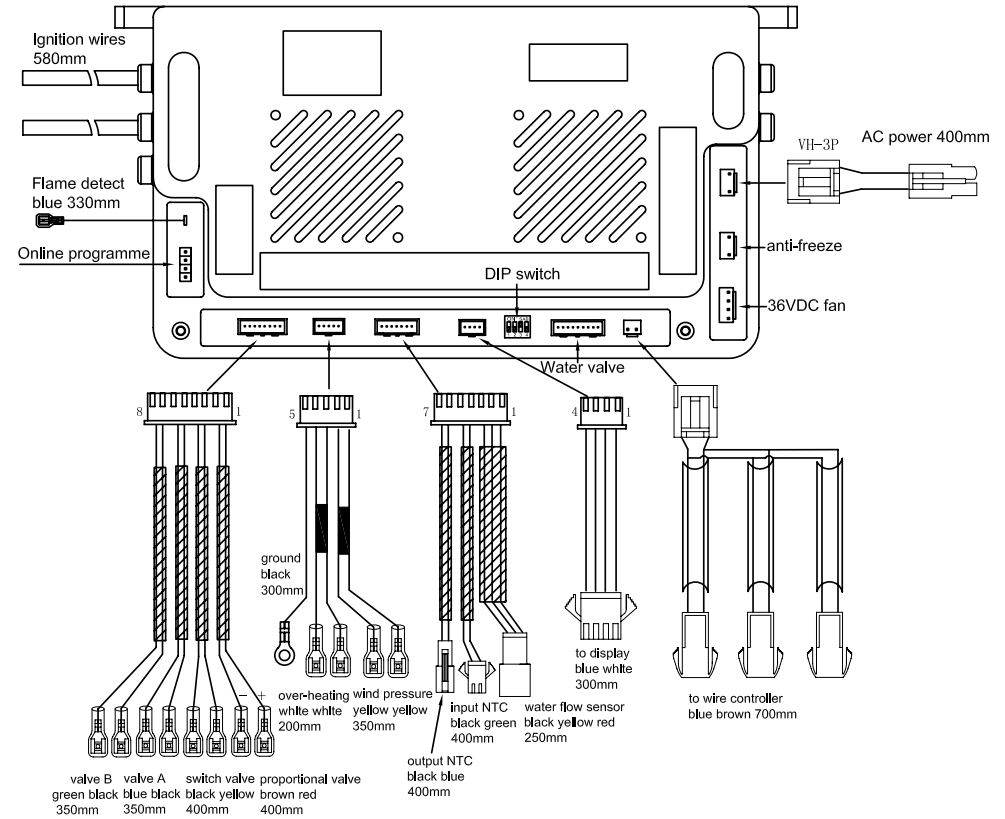
The water heater is self diagnostic for safety and convenience when troubleshooting. If there is a problem with the installation or the unit, it will display an error code on the LED display. Consult the following chart for each error code.

The error code will be displayed



Error Code	Fault
E0	Temperature Sensor Fault
E1	Ignition Failure or Accidental Flameout
E2	Flame Failure
E3	Thermostat Fault
E4	Continuous 3 second Outlet Water Temperature 85°C
E5	Fan Fault
E6	Gas Proportional valve Fault
EE	Timing Alarm (40 minute timer)

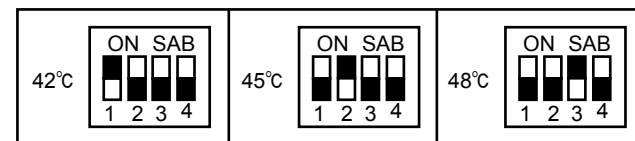
### 8.4 WIRING DIAGRAM



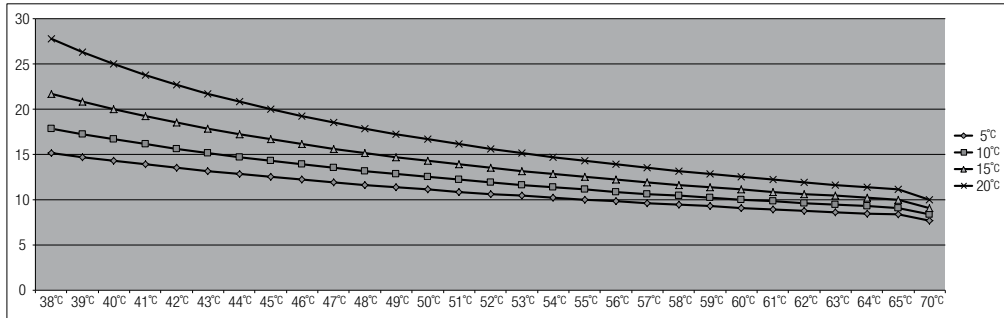
#### • The Temperature setting of 70°C mode



#### • The Temperature setting of 50°C mode

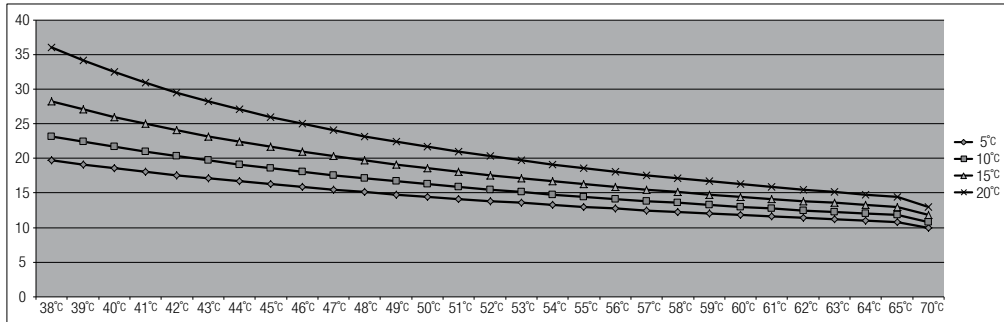


### 8.5 WATER FLOW AND WATER TEMPERATURE (THM2070)



- The flow rate through the water heater is limited to a maximum of 20L/min.
- The temperature setting, along with the supply temperature of the water will determine the flow rate output of the unit.
- Please refer to the temperature versus litre per minute chart to determine the likely flow rates based on your local ground water temperature and your desired outlet water temperature combination.

### 8.6 WATER FLOW AND WATER TEMPERATURE (THM2670)



- The flow rate through the water heater is limited to a maximum of 26L/min.
- The temperature setting, along with the supply temperature of the water will determine the flow rate output of the unit.
- Please refer to the temperature versus litre per minute chart to determine the likely flow rates based on your local ground water temperature and your desired outlet water temperature combination.

### 9. WARRANTY CONDITIONS

This gas water heater holds the following warranty periods from the date of purchase where installed in a residential application only:

	Product	Labour
Heat Exchanger	10 Years	3 Years
Parts	3 Years	3 Years
Controllers	1 Year	1 Year

### Installation Report & Warranty Registration

Please provide the following details (See reverse Side for further instruction)

Customer Details:

Title: \_\_\_\_\_ Surname: \_\_\_\_\_ First name: \_\_\_\_\_

Installation Address: \_\_\_\_\_

Town /Suburb: \_\_\_\_\_ State: \_\_\_\_\_ Postcode: \_\_\_\_\_

Country: \_\_\_\_\_

Telephone: Home: \_\_\_\_\_ Work: \_\_\_\_\_ Mob: \_\_\_\_\_

System details: \_\_\_\_\_

Date of Installation: \_\_\_\_\_ Installed by: \_\_\_\_\_

Gas Model & Type: \_\_\_\_\_ S/No: \_\_\_\_\_

Product is subject to change without notice.  
Please keep this manual for future reference

TECHNIKA PTY LTD ACN 069 686 326  
77 FILLO DRIVE SOMERTON VICTORIA 3062  
Service & Spare Parts:1800 333 244

Technika After Sales Service-P.O.Box 543 SOMERTON VIC 3062